

**FuelTech**



# OWNER'S MANUAL

MANUAL DE USUARIO | MANUAL DO USUÁRIO

**FTSPARK**



# 1. Index

- 2. Presentation ..... 7
- 3. Warranty terms ..... 7
- 4. Characteristics ..... 8
- 5. Installation ..... 9
  - 5.1 Mounting..... 9
  - 5.2 Power supply ..... 9
  - 5.3 Harness connections table..... 9
  - 5.4 Connection diagrams..... 15
  - 5.5 Wiring harness installation ..... 21
  - 5.6 Wiring harness positioning ..... 21
  - 5.7 Coils ..... 21
  - 5.8 Spark plug wires..... 22
  - 5.9 Spark plugs..... 22
- 6. FTSPARK control..... 22
  - 6.1 Individual triggering ..... 22
  - 6.2 Serial bus triggering ..... 22
  - 6.3 Input signal trigger edge..... 23
  - 6.4 CAN network..... 23
  - 6.5 Energy level selection ..... 23
  - 6.6 Wasted spark operation (750mJ Only)..... 24
  - 6.7 Safety Features ..... 25
  - 6.8 Ignition delay time ..... 25
- 7. Recalibrating ignition and fuel map..... 25
- 8. LED operation indicator..... 25
- 9. FTSPARK settings and operation..... 26
  - 9.1 FTSPARK settings ..... 26
  - 9.2 Ignition energy ..... 26
  - 9.3 Using two FTSPARK units in the same installation: ..... 27
  - 9.4 Setup on engines with sequential ignition..... 27
  - 9.5 Datalogger channels..... 29
  - 9.6 Status Events Information..... 29
- 10. FTSCAN 2.0 protocol..... 30
  - 10.1 Physical layer ..... 30
  - 10.2 Features..... 30
  - 10.3 IDENTIFICATION ..... 30
  - 10.4 DATA FIELD..... 31
  - 10.5 Attachments..... 32
  - 10.3 IDENTIFICATION ..... 26

## 2. Presentation

FTSPARK is a high energy capacitive ignition module that meets the highest levels of spark energy demand, being able to generate a spark with **750mJ** (mJ = mili Joules guaranteed minimum energy, can reach up to 850mJ) or **1500mJ** (FTSPARK EXTREME - guaranteed minimum energy, can reach up to 1700mJ) and it is capable of discharging with currents up to 140Amps and 475V in the primary coil circuit. With these features, the FTSPARK generates a spark with approximately 5 times more energy and 10 times more current compared to a SparkPRO, ensuring a complete combustion in any condition, especially in extremely rich air fuel ratios.

EN

### FTSPARK Differentials:

- Compatible with rotary engines
- Programmable energy level over CAN bus or analog input for energy level configuration
- 475V in the primary coil circuit, helps avoiding electromagnetic noise in the system
- Up to 140Amps in the primary coil circuit using FuelTech CDI Racing Ignition Coil
- Up to 175Amps in the primary coil circuit using FuelTech CDI Racing Ignition Coil and FTSPARK 1500mJ (FTSPARK EXTREME)
- CAN communication with FuelTech Power FT product line, for diagnostics and data logging
- Anodized aluminum housing
- Automotive connector with gold-plated terminals
- Serial bus (1 wire) allows the use of only one ECU output to trigger all FTSPARK ignition outputs

## 3. Warranty terms

The use of this equipment implies in total accordance with the terms described in this manual and exempts the manufacturer from any responsibility regarding product misuse.

**This product must be installed and tuned by specialized auto shops or professionals with experience on engine tuning.**

The oversight of any of the warnings or precautions described in this manual can cause engine damage and lead to warranty void of this product warranty.

Before starting any electrical installation, disconnect the battery.

This product is not certified for aeronautic purposes or any flying vehicles, as it has not been designed for such applications.

In some countries where an annual inspection of vehicles is enforced, no modification in the OEM ECU is permitted. Be informed about local laws and regulations prior to the product installation.



### **Important warning for proper installation of this product:**

**Always remove and insulate unused wires. NEVER roll up excess wiring as this may create an antenna that captures electromagnetic interference that may generate product malfunction.**

### Limited Warranty

This product warranty is limited to one year from the purchase date, only covering manufacturing defects and requiring purchase invoice presentation. Damages caused by misuse of the unit are not covered by the warranty. Warranty void analysis is done exclusively by FuelTech technical support team.

Manual Version 2.5 – October/2023



### **WARNING:**

**Warranty seal violation results in product warranty void.**

## 4. Characteristics

- Dimensions: 4.92 x 6.0 x 1.9 in.;
- Weight: 32.8 oz;
- Body: Anodized aluminum and plastic;
- Voltage supply required for full power: 14-26V. Minimum voltage during cranking 8V;
- Maximum operating frequency: 670 Hz;

**\*\* Previous Version**

Specifications	**600mJ	750mJ	1500mJ
Minimum energy	600mJ	750mJ	1500mJ
Maximum Energy	680mJ	850mJ	1700mJ
Primary coil current	125A	140A	175A
Spark plug (non-resistive) current	1.70A	1.95A	2.50A
Spark duration	300uS	330uS	400uS

EN

### Maximum Current Consumption

FTSPARK-4 (4 Coils)	20A @ 10000RPM
FTSPARK-6 (6 Coils)	30A @ 10000RPM
FTSPARK-8 (8 Coils)	40A @ 10000RPM
FTSPARK-4 EXTREME (4 Coils) 1500mJ	40A @ 10000RPM
FTSPARK-8 EXTREME (8 Coils) 1500mJ (using 2 FTSPARK ignition module)	FTSPARK(A) - 40A @ 10000RPM FTSPARK(B) - 40A @ 10000RPM

### Wiring Harness

FTSPARK-4 (4 Coils):	23 Wires
FTSPARK-6 (6 Coils):	29 Wires
FTSPARK-8 (8 Coils):	35 Wires
FTSPARK-4 EXTREME (4 Coils):	21 Wires
FTSPARK-8 EXTREME (8 Coils):	42 Wires

Wire harness length: 59 in. at power outputs connected to coils and 118 in. at the other cables.

### Maximum piston engine speed (with 16V battery)

Cylinders	Sequential	Wasted spark / 2 Stroke
4	22.500 RPM	11.250 RPM
4 (EXTREME)	11.250 RPM	<b>NOT COMPATIBLE</b>
5	15.000 RPM	<b>NOT COMPATIBLE</b>
6	15.000 RPM	<b>NOT COMPATIBLE</b>
8	11.250 RPM	<b>NOT COMPATIBLE</b>
8 (EXTREME)	11.250 RPM	<b>NOT COMPATIBLE</b>

### Maximum rotary engine speed (with 16V battery)

Rotors	Rotary	Units
2	11.250 RPM	1 x FTSPARK-4
3	15.000 RPM	2 x FTSPARK-4
4	11.250 RPM	2 x FTSPARK-4



**IMPORTANT**

FTSPARK EXTREME is not compatible with rotary engines.

## 5. Installation

Capacitive ignition systems require special installation care for correct operation. The vehicle's electrical system suffers high current and voltage demand from the FTSPARK ignition system. It is essential to follow the installation instructions in this manual.

EN



### NOTE

*If the LOG shows energy drop, it's necessary to check the harness and wires that go to the battery. And on situations where the FTSPARK is far from the battery, it's mandatory to increase wire gauge.  
A good solution is to make a secondary power terminal from the battery, using 2 AWG cable.*

### 5.1 Mounting

Mounting must be done using the rubber cushions. Always use the 4 spots available on the FTSPARK body. **The FTSPARK must be installed as far away from heating sources as possible (such as turbochargers and exhaust manifolds) because it generates a lot of heat by itself. If installed on the engine bay, it must be mounted where air flows best.**

### 5.2 Power supply

Never Invert the FTSPARK power connections.

The FTSPARK power supply, as well as all other electric loads of the car, must pass through the master switch for safety reasons and the master switch must NEVER interrupt the battery ground, always the hot terminal.



### IMPORTANT

- Always connect the power supply harness directly to the battery with a 50A fuse for each FTSPARK BOX.
- Do not use the chassis or engine block to ground the FTSPARK. Use the negative battery terminal.

To turn the FTSPARK on and off use a 12V switch connected to the analog input on pin 12.

Do not connect the FTSPARK to a voltage booster, it demands current peaks of more than 100A and will cause the system to malfunction.

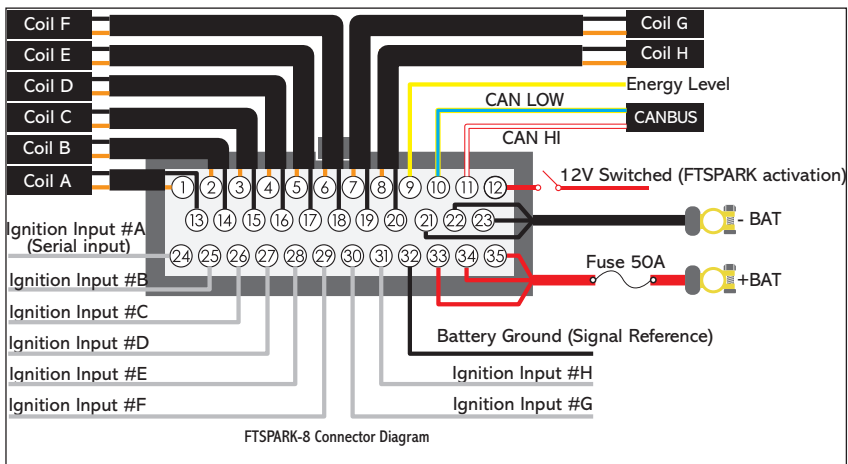
Do not use FTSPARK on systems with power supply voltage over 26V.

### 5.3 Harness connections table

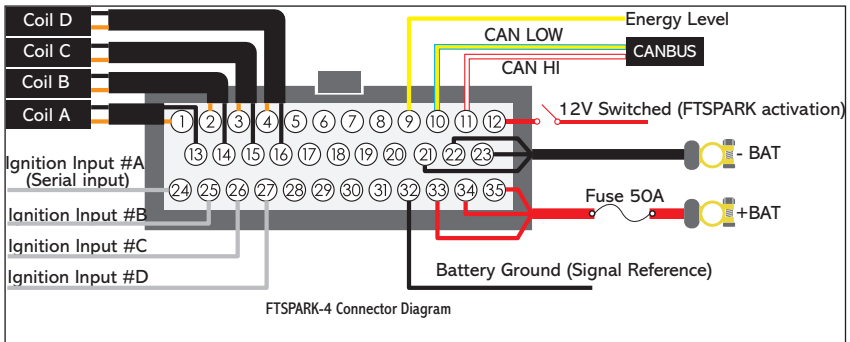
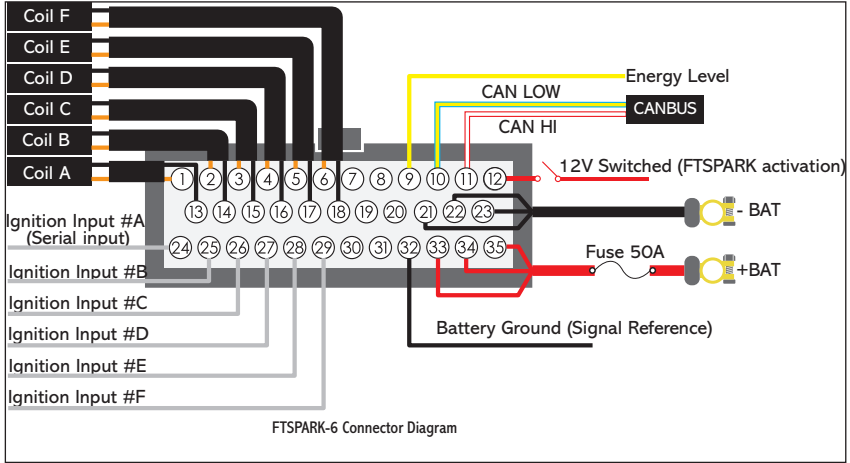
#### 750mJ connection table

Pin	Wire	Label	Function
1	Orange	COIL A (+)	Coil primary output. High voltage (Positive side)
2	Orange	COIL B (+)	
3	Orange	COIL C (+)	
4	Orange	COIL D (+)	
5	Orange	COIL E (+)	
6	Orange	COIL F (+)	
7	Orange	COIL G (+)	
8	Orange	COIL H (+)	

9	Yellow	Energy level	Energy level selection; (ground trigger) NOTE: If the FTSPARK is connected via the CAN network, it is not necessary to use this wire.
10	Yellow/Blue	--	Wiring harness CANBUS CAN LOW
11	Yellow/White	--	Wiring harness CANBUS CAN HI
12	Red	Switched 12V	FTSPARK Switch ON/OFF
13	Black	COIL A (-)	Coil primary output. Wire 750V. Twisted. (Power ground side) <b>NOTE: Do not connect the shield to the negative of the coil.</b>
14	Black	COIL B (-)	
15	Black	COIL C (-)	
16	Black	COIL D (-)	
17	Black	COIL E (-)	
18	Black	COIL F (-)	
19	Black	COIL G (-)	
20	Black	COIL H (-)	
21	Black	-BAT	Power ground. Connect to battery
22	Black	-BAT	
23	Black	-BAT	
24	Gray	Ignition Input A	Ignition trigger input A or Serial bus (1 wire)
25	Gray	Ignition Input B	Ignition trigger input B
26	Gray	Ignition Input C	Ignition trigger input C
27	Gray	Ignition Input D	Ignition trigger input D
28	Gray	Ignition Input E	Ignition trigger input E
29	Gray	Ignition Input F	Ignition trigger input F
30	Gray	Ignition Input G	Ignition trigger input G
31	Gray	Ignition Input H	Ignition trigger input H
32	Black	GND	Battery ground. Trigger signal reference
33	Red	+BAT	Power supply for FTSPARK. Connect to battery positive or main switch when required.
34	Red	+BAT	
35	Red	+BAT	



EN

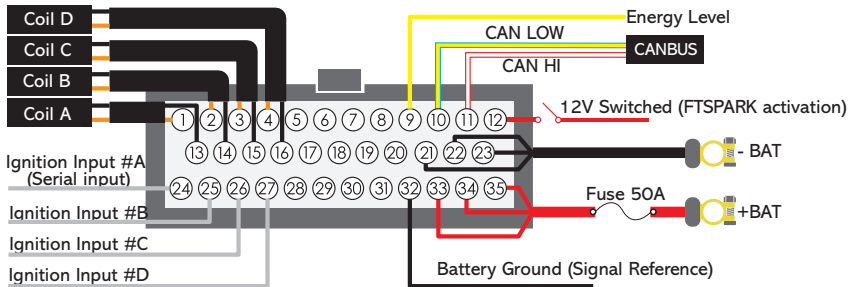


## 1500mJ (FTSPARK EXTREME) connection table - 4 Cylinder

Pin	Wire	Label	Function
1	Orange	COIL A (+)	Coil primary output. High voltage (Positive side)
2	Orange	COIL B (+)	
3	Orange	COIL C (+)	
4	Orange	COIL D (+)	
5	Not Used		Not Used
6	Not Used		
7	Not Used		
8	Not Used		
9	Yellow	Energy level	Energy level selection; (ground trigger) NOTE: If the FTSPARK is connected via the CAN network, it is not necessary to use this wire.
10	Yellow/Blue	-	Wiring harness CANBUS CAN LOW
11	Yellow/White	-	Wiring harness CANBUS CAN HI
12	Red	Switched 12V	FTSPARK Switch ON/OFF



13	Black	COIL A (-)	Coil primary output. 750V wire. Twisted. (Power ground side) <b>NOTE: Do not connect the shield to the negative of the coil.</b>
14	Black	COIL B (-)	
15	Black	COIL C (-)	
16	Black	COIL D (-)	
17	Not Used	-	Not Used
18	Not Used		
19	Not Used		
20	Not Used		
21	Black	-BAT	Power ground. Connect to battery
22	Black	-BAT	
23	Black	-BAT	
24	Gray	Ignition Input A	Ignition trigger input A or Serial bus (1 wire)
25	Gray	Ignition Input B	Ignition trigger input B
26	Gray	Ignition Input C	Ignition trigger input C
27	Gray	Ignition Input D	Ignition trigger input D
28	Not Used	-	Not Used
29	Not Used		
30	Not Used		
31	Not Used		
32	Black	GND	Battery ground. Trigger signal reference
33	Red	+BAT	Power supply for FTSPARK. Connect to battery positive or main switch when required..
34	Red	+BAT	
35	Red	+BAT	

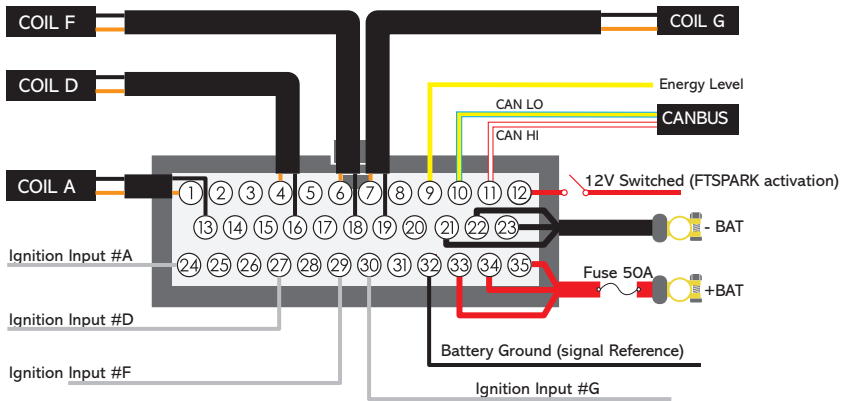


1500mJ (FTSPARK EXTREME) connection table - 8 Cylinder (BOX A)

Pin	Wire	Label	Function
1	Orange	COIL A (+)	Coil primary output. High voltage (Positive side)
2	Not Used	-	
3	Not Used	-	
4	Orange	COIL D (+)	
5	Not Used	-	
6	Orange	COIL F (+)	
7	Orange	COIL G (+)	
8	Not Used	-	

EN

9	Yellow	Energy level	Energy level selection; (ground trigger) NOTE: If the FTSPARK is connected via the CAN network, it is not necessary to use this wire.
10	Yellow/Blue	-	Wiring harness CANBUS CAN LOW
11	Yellow/White	-	Wiring harness CANBUS CAN HI
12	Red	Switched 12V	FTSPARK Switch ON/OFF
13	Black	COIL A (-)	Coil primary output. 750V wire. Twisted. (Power ground side) <b>NOTE: Do not connect the shield to the negative of the coil.</b>
14	Not Used	-	
15	Not Used	-	
16	Black	COIL D (-)	
17	Not Used	-	
18	Black	COIL F (-)	
19	Black	COIL G (-)	
20	Not Used	-	Power ground. Connect to battery
21	Black	-BAT	
22	Black	-BAT	
23	Black	-BAT	Ignition trigger input A or Serial bus (1 wire)
24	Gray	Ignition Input A	
25	Not Used	-	Not Used
26	Not Used	-	Not Used
27	Gray	Ignition Input D	Ignition trigger input D
28	Not Used	-	Not Used
29	Gray	Ignition Input F	Ignition trigger input F
30	Gray	Ignition Input G	Ignition trigger input G
31	Not Used	-	Not Used
32	Black	GND	Battery ground. Trigger signal reference
33	Red	+BAT	Power supply for FTSPARK. Connect to battery positive or main switch when required.
34	Red	+BAT	
35	Red	+BAT	

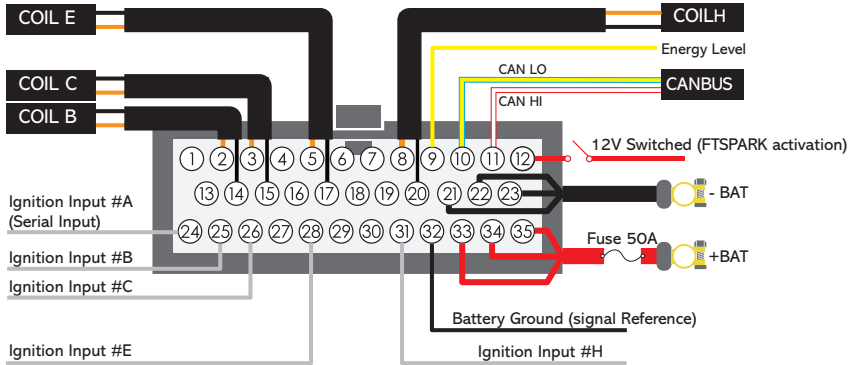


1500mJ (FTSPARK EXTREME) connection table - 8 Cylinder (BOX B)

Pin	Wire	Label	Function
1	Not Used	-	Coil primary output. High voltage (Positive side)
2	Orange	COIL B (+)	
3	Orange	COIL C (+)	
4	Not Used	-	
5	Orange	COIL E (+)	
6	Not Used	-	
7	Not Used	-	
8	Orange	COIL H (+)	
9	Yellow	Energy level	Energy level selection; (ground trigger) NOTE: If the FTSPARK is connected via the CAN network, it is not necessary to use this wire.
10	Yellow/Blue	-	Wiring harness CANBUS CAN LOW
11	Yellow/White	-	Wiring harness CANBUS CAN HI
12	Red	Switched 12V	FTSPARK Switch ON/OFF
13			
14	Black	COIL B (-)	Coil primary output. 750V wire. Twisted. (Power ground side) <b>NOTE: Do not connect the shield to the negative of the coil.</b>
15	Black	COIL C (-)	
16	Not Used	-	
17	Black	COIL E (-)	
18	Not Used	-	
19	Not Used	-	
20	Black	COIL H (-)	
21	Black	-BAT	Power ground. Connect to battery
22	Black	-BAT	
23	Black	-BAT	
24	Gray	Ignition Input A	Ignition trigger input A or Serial bus (1 wire)
25	Gray	Ignition Input B	Ignition trigger input B
26	Gray	Ignition Input C	Ignition trigger input C
27	Not Used	-	
28	Gray	Ignition Input E	Ignition trigger input E
29	Not Used	-	
30	Not Used	-	
31	Gray	Ignition Input H	Ignition trigger input H
32	Black	GND	Battery ground. Trigger signal reference
33	Red	+BAT	Power supply for FTSPARK. Connect on battery positive or when main switch required.
34	Red	+BAT	
35	Red	+BAT	

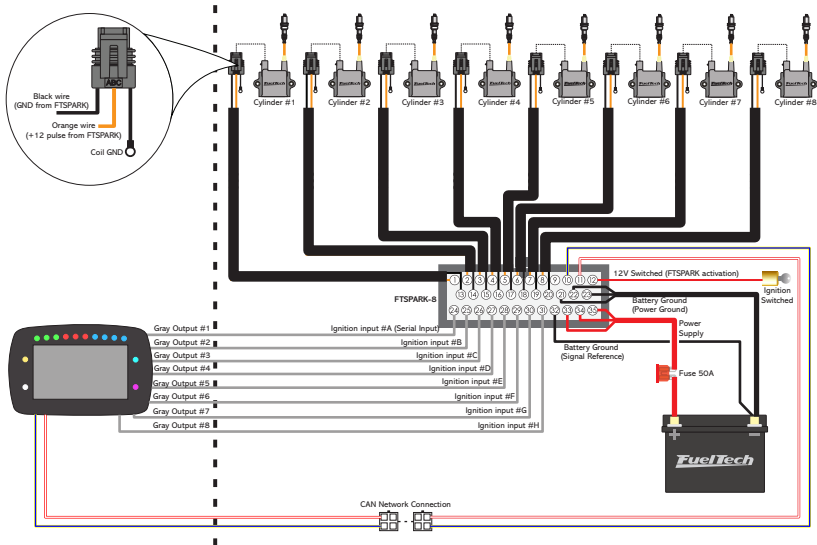
EN

EN

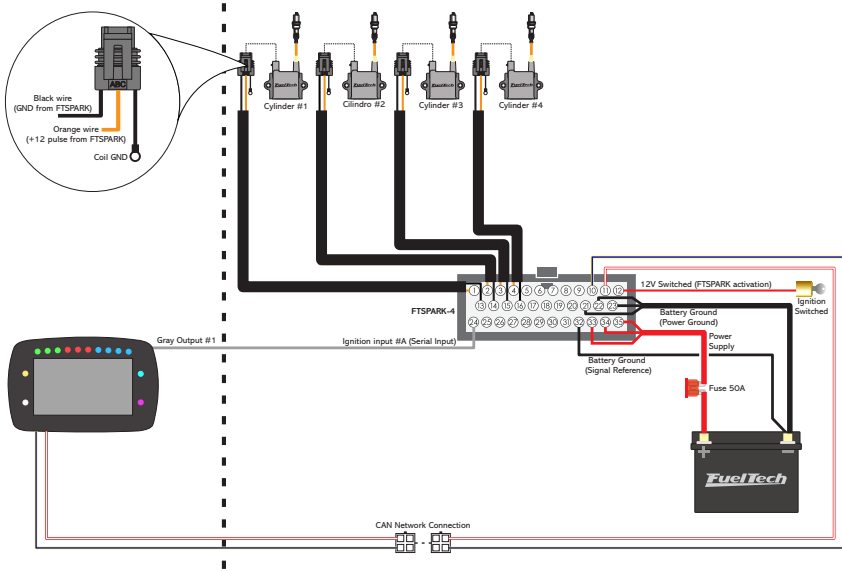


## 5.4 Connection diagrams

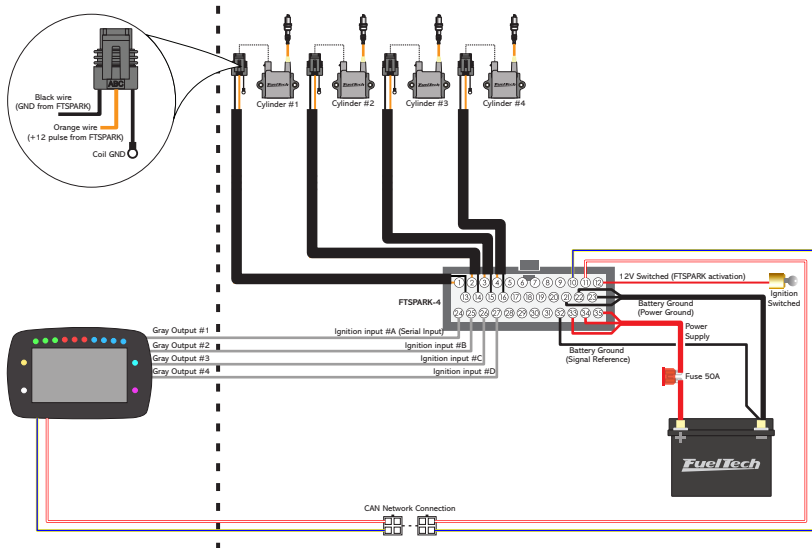
### 8 Cylinder with multiple wires with CDI coils



4 Cylinder with Serial bus (Single wire - PowerFT ECU's)

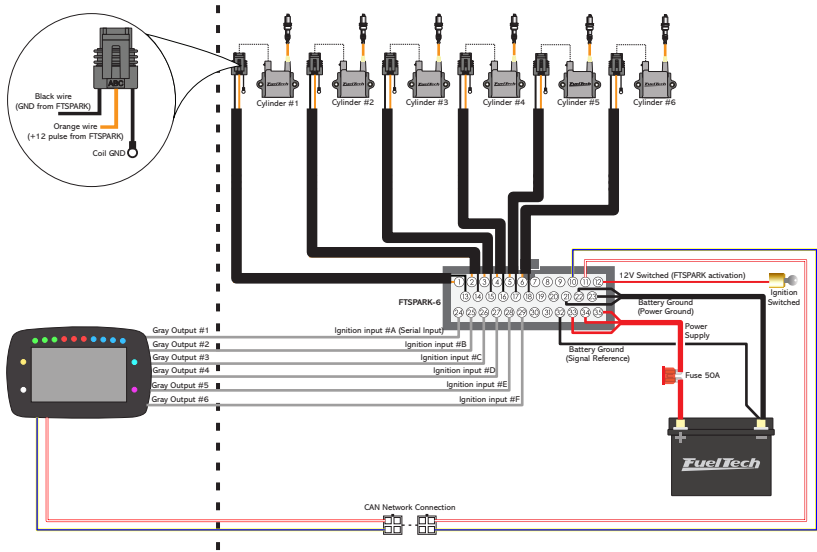


4 Cylinder with multiple wires

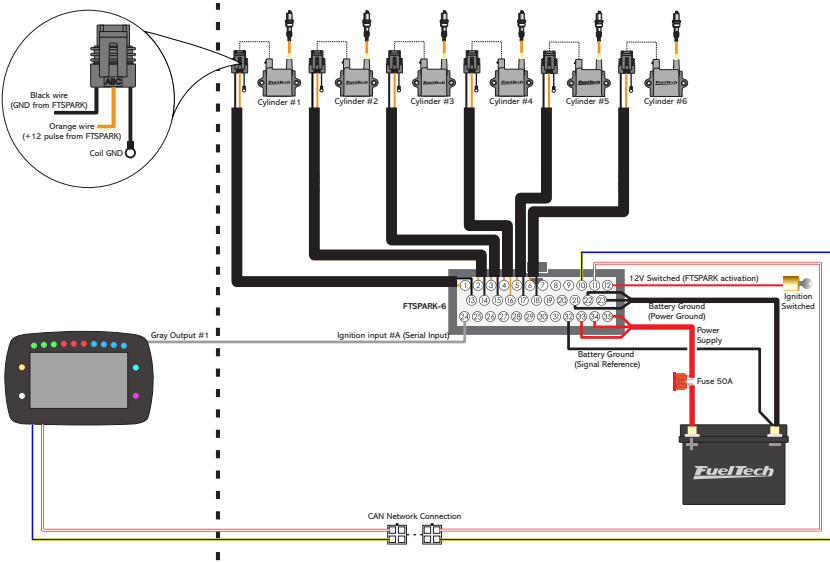


## 6 Cylinder with multiple wires

EN

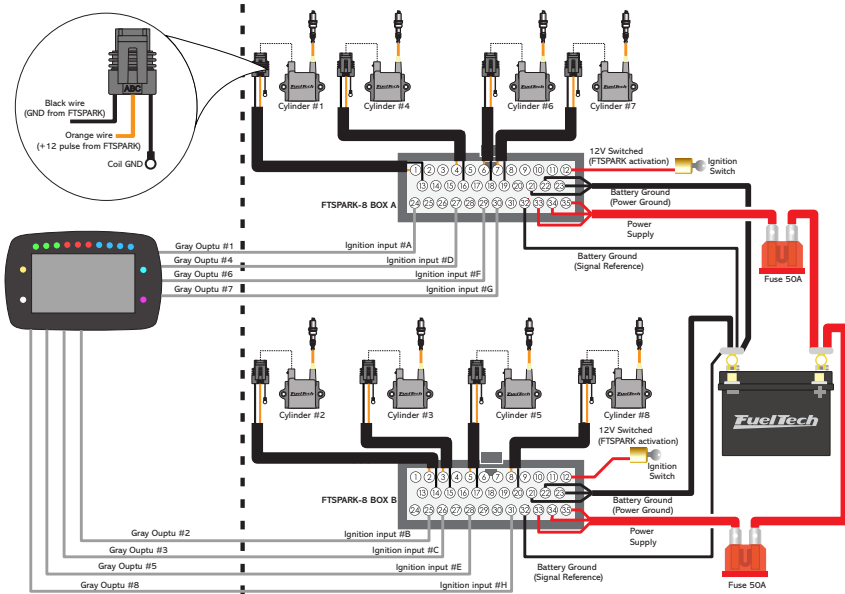


## 6 Cylinder with Serial bus (Single wire - PowerFT ECU's)

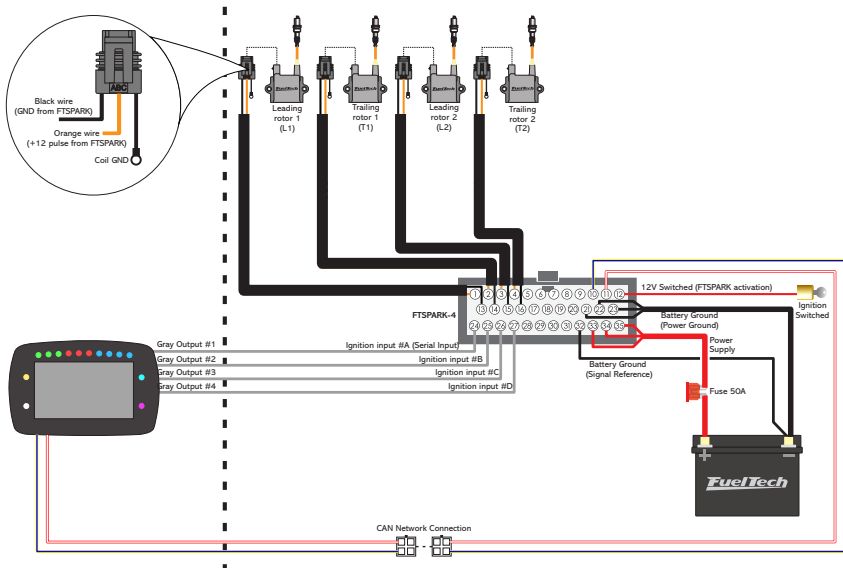


FTSPARK EXTREME 8 Cylinder with multiple wires

EN



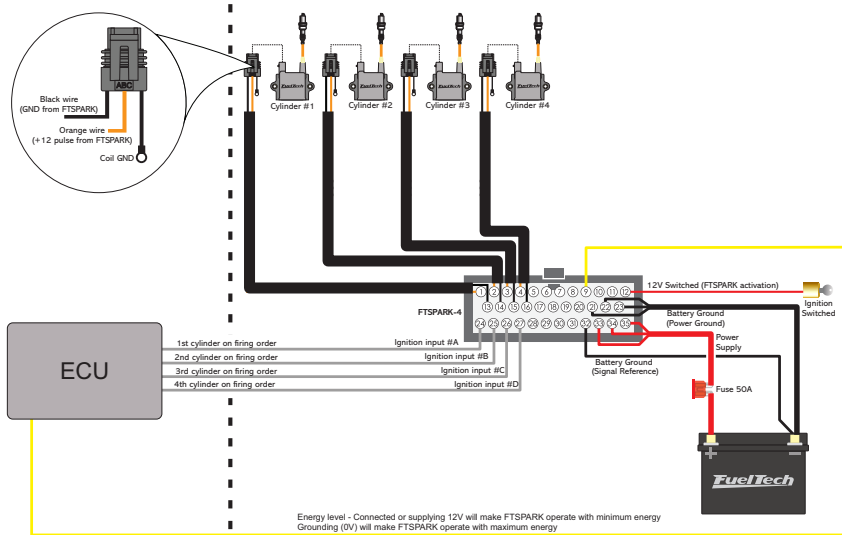
2 Rotors with individual coils



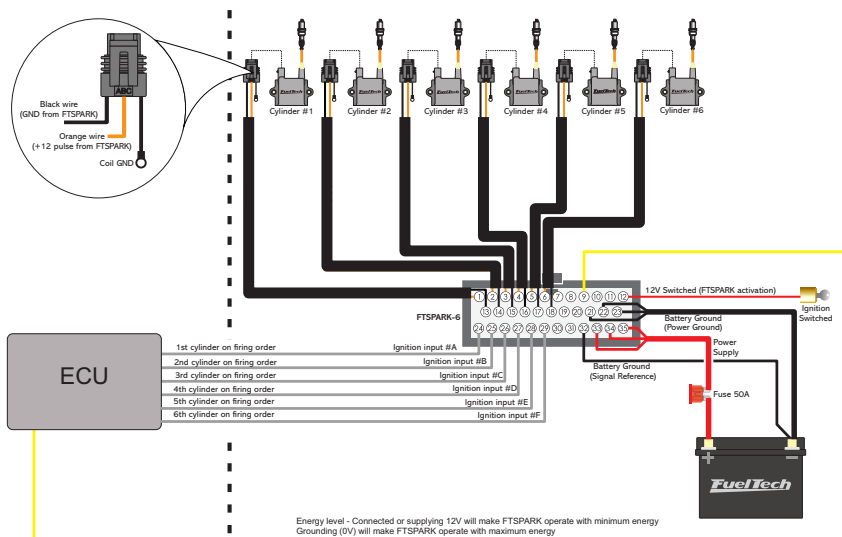




FTSPARK-4 managed by other aftermarket ECU's



FTSPARK-6 managed by other aftermarket ECU's



## Electrical wire specifications

Function	Color / Wire Gauge
Ignition output (COILS)	Orange AWG 16 (1.5mm <sup>2</sup> ) isolation 750V
Ground ignition (COILS)	Black AWG 16 (1.5mm <sup>2</sup> ) isolation 750V
- BAT	Black AWG 16 (1.5mm <sup>2</sup> ) Isolation 300V until the splice and after AWG 10 (4.5mm <sup>2</sup> )
+ BAT	Red AWG 16 (1.5mm <sup>2</sup> ) Isolation 300V until the splice and after AWG 10 (4.5mm <sup>2</sup> )
Ignition input	Gray AWG 20 (0.5mm <sup>2</sup> ) Isolation 300V
Energy level	Yellow AWG 20 (0.5mm <sup>2</sup> ) Isolation 300V
12V	Red AWG 20 (0.5mm <sup>2</sup> ) Isolation 300V
ECU GND	Black AWG 20 (0.5mm <sup>2</sup> ) Isolation 300V

EN

## 5.5 Wiring harness installation

The main connector terminals must be crimped with appropriate pliers. Never solder terminals. Additional metal will cause electrical insulation problems inside the connector.

Plan the installation to avoid wiring joints on the wiring harness. If this is unavoidable, the twisted wires should continue to be braided in the extended part. Power outputs connected to the primary coil must use wires with a minimum 750V insulation.

## 5.6 Wiring harness positioning

Never route the output cables that connect the coils (59 in. Twisted orange cables) together with the other FTSPARK wires or other electrical wiring in the vehicle. The output cables that connect to the coils may induce a high amount of current in surrounding wires, which can cause malfunction in other systems of the vehicle and even damage inputs and outputs of other modules.

It's recommended to keep a distance of at least 4" between the ignition coils wiring and all other wiring harness parts. If this can't be done, the wiring should be covered with braided steel wiring sleeve.

## 5.7 Coils

Use only coils that are approved and tested by FuelTech. The vast majority of coils designed for inductive operation greatly reduces the performance of the FTSPARK. A good inductive coil is not guaranteed of similar performance when used with the FTSPARK.

Some coils developed for use with OEM CDIs (nautical or motorcycle use) may damage the CDI because it can not absorb the peak power sent by FTSPARK. Below is the coil recommended by FuelTech.

### Racing CDI FuelTech wiring diagram

- A - Black wire (GND from FTSPARK)
- B - Orange wire (+12 pulse from FTSPARK)
- C - Coil GND

Model	Manufacturer
CDI Racing Coil	FuelTech



**IMPORTANT**

**Do not connect the shield to the negative of the coil.**



**IMPORTANT**

**The C pin ring terminal must be bolted on the cylinder head as close as possible to the spark plug that it's going to fire.**

## 5.8 Spark plug wires

Do not use spark plug wires without suppression or cables with suppressor terminals only. Use of RFI (radio frequency interference) spark plugs wire is required to ensure the proper operation of all electronic equipment on the vehicle.

Low resistance spark plug wires with suppressive characteristics are recommended.

## 5.9 Spark plugs

Using non-resistive spark plugs greatly increases spark energy with capacitive ignitions, however not all installations will function properly depending on the level of interference generated. In these cases using resistive spark plugs is mandatory.

Keep the spark plugs clean and free of oil or grease to prevent electrical insulation problems.

Spark plugs that do not allow GAP adjustment or surface discharge are designed for use only in naturally aspirated engines. For turbocharged engines keep the spark plug GAP always less than 0.02 in.



### WARNING

**Faults in the ignition system due to excessive GAP damage the coils and also FTSPARK. When the energy released by the ignition cannot find a path to be dissipated, it returns to the coil or to the output of the FTSPARK output.**

## 6. FTSPARK control

FTSPARK has two operation modes. Individual triggering (using two or more ignition outputs) or through Serial bus (1 wire).

### 6.1 Individual triggering

For the Power FT product line, it is necessary to enable the FTSPARK option and select multiple outputs in the ignition settings. For older modules, it's necessary to select SparkPRO/3 wires option with a dwell time of 3 ms. Longer or shorter times may cause abnormal operation. The recommended voltage on input signals is 0V to low level and 5-14V to high level. Use ECU NEGATIVE (pin 32) connected to the sensor ground output of FT600 or battery negative in other situations as a reference for these triggering signals.

### 6.2 Serial bus triggering

In this mode, FTSPARK operates using signals present in IGNITION INPUT A only. This mode allows more outputs to be used in other features and reduces the quantity of harness wires. This mode is only available when the FTSPARK is connected to an ECU of the Power FT product line.

### FTSPARK EXTREME

For 8 Cylinder engines using 1500mJ (minimum energy, can reach up to 1700mJ) it's mandatory to have the Serial bus activation wire shared between Box A and Box B, connecting it to pin 24 in both boxes.



### NOTES

- This serial protocol is not compatible with any other ECU, it's a FuelTech exclusive compatibility.
- The serial bus triggering can **NOT** be used for rotary engines.

## 6.3 Input signal trigger edge

All the FTSPARK units are designed to receive FALLING TRIGGER EDGE signal from the EFI, make sure you have your EFI settings for ignition output signal as falling edge to assure accurate ignition timing.

## 6.4 CAN network

EN

The CAN network allows the ECU to select the energy level without the use of the energy level selection wire. In addition, FTSPARK is capable of generating a series of CAN network diagnostics that are recorded by the ECU (FuelTech FT500 or higher).

### CAN Network connection

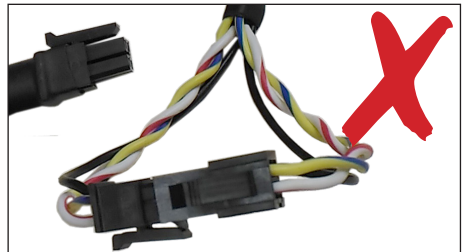
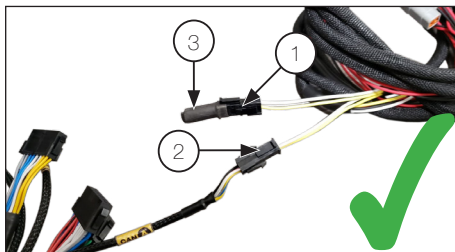
FTSPARK harness has 2 connectors for CAN network connection with FuelTech products.

- 1 - Female connector
- 2 - Male connector
- 3 - CAN terminator

Plug the male connector from the FTSPARK harness (2) to the female connector on the back of the ECU. In case you have other products that are already connected to the CAN network (WB-O2 Nano, for instance), then connect the male connector from FTSPARK to the female connector from the WB-O2 Nano. It may be necessary to remove the CAN terminator from the WB-O2 Nano harness.

The CAN terminator (3) must remain plugged to the female connector of the last equipment on the network. This helps to prevent noise on the CAN network.

Male connector from the FTSPARK (1) MUST NOT be plugged to the female connector on the same harness. CAN communication will work properly with this connection.



### WARNING

When the CAN network is disconnected, the user loses the option of selecting the energy level through the MAP and visualizing all the diagnostics and measures that the ignition module is capable of performing.

Through the diagnostic panel it's possible to identify if the FTSPARK is connected. If it's not connected, product will operate normally (with energy set by the energy setting wire).

## 6.5 Energy level selection

Energy level may be selected by two ways: ENERGY LEVEL input ground trigger (pin 9, yellow cable), or through CAN network (values are set in the ECU's ignition energy table).



**IMPORTANT**

In order to run on 750mJ of energy when not connected to a FuelTech ECU through CAN network, the Energy level selection wire (pin #9 - yellow wire) must be connected to the battery negative.

If this wire is not connected, the FTSPARK will run on 400mJ only.

**Operation without CAN network**

Select energy level through ENERGY LEVEL input:

- 400 mJ: Do not connect ENERGY LEVEL input.
- 750 mJ: ENERGY LEVEL input must be connected to a ground or auxiliary output.
- FTSPARK EXTREME: 800mJ minimum to 1500mJ maximum

EN



**NOTES**

- 750mJ (guaranteed minimum energy, can reach up to 850mJ)
- 1500mJ (guaranteed minimum energy, can reach up to 1700mJ)

**Operation with CAN network**

When the CAN network is connected to a FuelTech ECU, the ENERGY LEVEL input is ignored and the energy level is set by the ECU via CAN.



**WARNING**

If the maximum internal operation temperature is exceeded, the FTSPARK thermal protection reduces power output to prevent hardware damage, regardless of user programming, which may cause abnormal ignition.

**6.6 Wasted spark operation (750mJ Only)**

The FTSPARK has 2 banks of capacitors that are alternately connected at the outputs. The first bank of capacitors fires the "odd" outputs, which are designated A, C, E and G, and the second bank fires the "even" outputs, designated B, D, F and H.

To obtain the maximum performance, the installation must always consider the sparks alternating the use of the capacitor banks, that is, 1 spark on one "odd" bank and the next on one "even" bank, and so on.

Doing so will allow the operation on rotary engines (which has the sparks timed very close to each other) and wasted spark on engines with up to 4 cylinders.



**WARNING**

It is recommended to use FTSPARK always in sequential ignition mode, using wasted spark mode in 4-cylinder engines guarantees operation up to 11250RPM without energy reduction, but the extra effort may cause premature damage.



**IMPORTANT**

Only engines with 4 cylinders or less can use the wasted spark configuration. Engines with 5 to 8 cylinders must use sequential ignition.

When the FTSPARK is configured via CAN network, it's necessary to mark the check box "Send fixed data packet" so that the FTSPARK follows the values configured in the energy table and provides the correct diagnosis to the ECU.

## 6.7 Safety Features

The FTSPARK has many internal safety protections to avoid damage to the product in case of misuse or improper installation.

Every failure is automatically reset, that is, if the error is gone, the FTSPARK resumes operation normally.

Some protections require special attention.

EN

The errors 41 and 43, which are related to a failure to charge the internal capacitors, prevent the FTSPARK from functioning if they occur 10 consecutive times. Normal operation is resumed when the error trigger signal is absent. Removing the power is not needed.

The error 22, related to operation while overheated, has 2 stages of protection. If the temperature is above 203 F, but less than 212 F, the energy is reduced to 400mJ, regardless of map table or external command. If the temperature goes beyond 212 F, the FTSPARK is turned off.

## 6.8 Ignition delay time

The FTSPARK has a pre defined "Ignition delay" between processing the input signal and firing the ignition of 30uS (0.000030 second) that should be added to the existing ignition delay time set on the ECU when switching from another ignition system that has close to zero delay.

Typical ignition delay time of a complete ECU, ignition system, coil and spark wires are 70uS.

To confirm this setting on your system, lock the ignition timing advance to a fixed timing and check with a timing light that you have no timing change over the RPM range from idling to high RPM, this means that your "ignition delay" was set correctly.

If you experience timing being retarded over RPM, you need to increase the "ignition delay".

As a reference number, on a sequential ignition setup with locked timing on ECU, if you are checking timing at 1,000 RPM and then at 9,000 RPM and timing is retarding 1 degrees over this range, you will need to add 20uS to the "ignition delay" on the ECU.

## 7. Recalibrating ignition and fuel map

The additional energy generated and precise ignition timing (related to short spark duration), generally require ignition map to be recalibrate when FTSPARK is installed to replace an inductive system.

The additional spark energy allows the engine to operate with richer mixtures before failure or loss of power. It's possible to take advantage of this and operate with a richer fuel map for the same power level, putting the engine in a safer range of operation avoiding all the problems that might occur when running with a lean mixture.

## 8. LED operation indicator

FTSPARK has a LED that allows to diagnose its basic operation. It's possible states are listed in the table below.

State	Diagnose
Off	No power input switched 12V
Lit Green	FTSPARK is on, no errors, waiting triggering pulses
Blinking Green	Triggering pulses on input, no errors, operating with standard energy (400mJ)
Blinking Orange	Triggering pulses input, no errors, operating with maximum energy (750mJ - guaranteed minimum energy, can reach up to 850mJ)
Fast/slow blinking Red	Failure detected. Displaying error code.

The FTSPARK can report a two-digit error code on the diagnostic LED. Slow blinks indicate the tens, dozens quick blinks indicate the unit. Example: 4 slow blinks followed 3 quick blinks. Error code 43.

Following is the list of errors currently reported by the FTSPARK.



Error Code	Diagnose	Solution
21	ECU is operating on wasted spark with wrong firing order.	When activating two outputs simultaneously, it's mandatory to trigger one even and one odd channel. Example: AB, CD, EF, GH. * A = 1 B = 2 C = 3 ... H = 8
22	FTSPARK has overheated	Increase the airflow around FTSPARK or turn it off so it can cool down to its normal operating temperature.
31	Off Power Supply	Check the power supply circuit the FTSPARK, relays and fuses.
41	Hardware error. Over voltage on internal capacitors.	Contact FuelTech.
42	Hardware error. Internal voltage below minimum. FTSPARK switches off during this fault condition.	It may be caused by a power failure on FTSPARK or discharged battery.
43	Hardware error. FTSPARK can not charge the capacitors.	Probable output failure. Contact FuelTech.
44	Hardware error. FTSPARK has internal protection fuse ruptured	This fuse is not accessible and can not be replaced by the user. Contact FuelTech.

## 9. FTSPARK settings and operation

### 9.1 FTSPARK settings

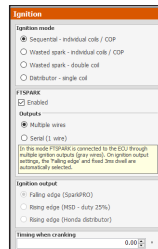
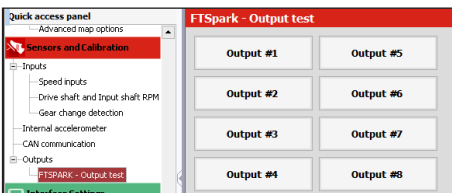
Through FTManager it's possible to configure the FTSPARK output, to do so go to 'Engine Settings' then 'Ignition'.

Set FTSPARK to 'Enabled' then select the output.

**Multiple wires:** This mode will activate individual coil outputs.

**Serial bus (1 wire):** In this mode the connection with the FTSPARK is made on the IGNITION INPUT A (gray wire #1). All of the ignition signals will be sent through this connection.

When the multiplexed output is selected, its possible to test the FTSPARK outputs using a "test function" on the FTManager. To do so, go to 'Sensors and Calibration' then 'Outputs' and select FTSPARK - Output test.



### 9.2 Ignition energy

On this MAPxRPM table it's possible to set the energy level of the FTSPARK. Adjust this table according to the FTSPARK maximum and minimum possibilities.

Panel de acceso rápido		Energía de Spark (mJ)					
Configuración de control		MAP (mbar)					
		14.50	10.33	6.15	0.00	14.50	20.00
Energía de Spark	9000/30	750	750	750	750	750	750
	7000/30	750	750	750	750	750	750
	5000/30	750	750	750	750	750	750

## 9.3 Using two FTSPARK units in the same installation:

When the installation requires 2 FTSPARK units, it's necessary to identify which unit will be the Box B, using FuelTech FTManager software.

### Procedure:

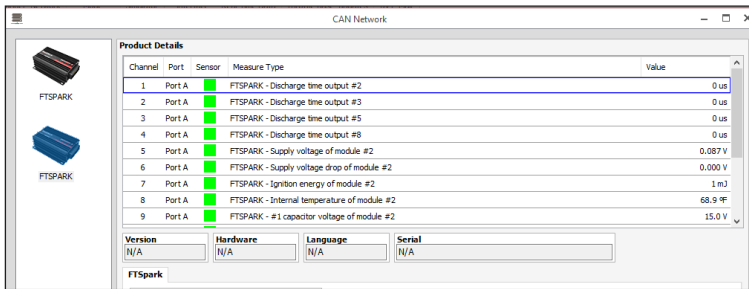
EN

1. Connect both units in the CAN bus along with the FuelTech PowerFT ECU
2. Turn ignition ON to power FTSPARK boxes
3. Under the tab Tools, in the top of the software, select CAN Network
4. In the case that the units are all Box A, the product icon in the left column will show up as just one. Click on top of the product and select the module you want to identify according to it's serial number to become the Box B and select "Identify" to blink the desired product LED, after that just click "Save". All new modules are configured as "Box A" as default.

For rotary engines with 3 or 4 rotors, is required 2 FTSPARK-4 units, the second one that will trigger "Trailing" spark plugs must be configured as Box B.

Using FTSPARK EXTREME on 6 and 8 cylinder engines is necessary 2 units, select Box B to control cylinder 2, 3, 5 and 8.

This configuration is only possible with FTSPARK Generation 2 750mJ or FTSPARK EXTREME 1500mJ. FTSPARK Generation 1 600mJ does not allow this configuration.



### NOTE

On step 4, if having difficult to change unit assignment, unplug the Box A that will be used in the installation and let only the unit that will be renamed connected to CAN.

## 9.4 Setup on engines with sequential ignition

### Sequential ignition setup on engines with individual coils.

4 cylinders - FTSPARK-4	
Output	Cylinder
A	#1
B	#2
C	#3
D	#4

4 cylinders - FTSPARK-8 EXTREME	
Output	Cylinder
A	#1
B	#2
C	#3
D	#4

5 cylinders - FTSPARK-6	
Output	Cylinder
A	#1
B	#2
C	#3
D	#4
E	#5
F	Not used

6 cylinders - FTSPARK-6	
Output	Cylinder
A	#1
B	#2
C	#3
D	#4
E	#5
F	#6



Wasted setup spark on engines with 4 cylinders

8 cylinders - FTSPARK-8		8 cylinders - FTSPARK-8 EXTREME	
Output	Cylinder	Output	Cylinder
A	#1	A (BOX A)	#1
B	#2	B (BOX B)	#2
C	#3	C (BOX B)	#3
D	#4	D (BOX A)	#4
E	#5	E (BOX B)	#5
F	#6	F (BOX A)	#6
G	#7	G (BOX A)	#7
H	#8	H (BOX B)	#8

VW (1-3-4-2) / motorcycles (1-2-4-3)		FT (1-2-3-4) / VW Air-cooled (1-4-3-2)	
Output	Cylinder	Output	Cylinder
A	#1	A	#1
B	#4	B	#3
C	#3	C	#2
D	#2	D	#4

Subaru (1-3-2-4)	
Output	Cylinder
A	#1
B	#2
C	#3
D	#4

ROTARY setup engines.

The order must be altered so that the Leading and Trailing outputs of the same rotor are placed in sequence, as shown in the table below.



**WARNING**

The setup on the following table is mandatory on a ROTARY engine, because the “Trailing” and “Leading” coils will fire practically at the same time and they must be on different capacitor banks to ensure the maximum energy available.

2 rotors - FTSPARK-4	
Output	Rotor
A	Leading rotor 1 (L1)
B	Trailing rotor 1 (T1)
C	Leading rotor 2 (L2)
D	Trailing rotor 2 (T2)

3 rotors - 2 X FTSPARK-4	
Output	Rotor
A - FTSPARK (BOX A)	Leading rotor 1 (L1)
B - FTSPARK (BOX A)	Leading rotor 2 (L2)
C - FTSPARK (BOX A)	Leading rotor 3 (L3)
D - FTSPARK (BOX A)	-
A - FTSPARK (BOX B)	Trailing rotor 1 (T1)
B - FTSPARK (BOX B)	Trailing rotor 2 (T2)
C - FTSPARK (BOX B)	Trailing rotor 3 (T3)
D - FTSPARK (BOX B)	-

4 rotors - 2 X FTSPARK-4	
Output	Rotor
A - FTSPARK (BOX A)	Leading rotor 1 (L1)
B - FTSPARK (BOX A)	Leading rotor 2 (L2)
C - FTSPARK (BOX A)	Leading rotor 3 (L3)
D - FTSPARK (BOX A)	Leading rotor 4 (L4)
A - FTSPARK (BOX B)	Trailing rotor 1 (T1)
B - FTSPARK (BOX B)	Trailing rotor 2 (T2)
C - FTSPARK (BOX B)	Trailing rotor 3 (T3)
D - FTSPARK (BOX B)	Trailing rotor 4 (T4)

## 9.5 Datalogger channels

**Discharge time:** Each output has an individual monitoring channel for the discharging time on the coil, which allows to diagnose malfunctions on the coils, channels or harness. The discharge time of the capacitor is not related to spark time, a long discharge might indicate problems on the coil or harness and connector.

**Supply voltage:** shows the effective power received by the FTSPARK.

**Supply voltage drop:** shows the difference of the voltage supply between the FTSPARK and the ECU. In case this value is too high, there might be a problem on the power harness of the FTSPARK.

**Capacitor voltage 1 and 2:** FTSPARK has two banks of capacitors that are charged and discharged alternately on the outputs, allowing higher engine rotations and operation on ROTARY engines, the first bank of capacitors fires the outputs A-C-E-G and the second bank fires the outputs B-D-F-H.

**Capacitor charge time 1 and 2:** The monitoring of the charging time allows the diagnostic of a possible internal problem on the FTSPARK, power deficiency or RPM limit settings where the required charging time cannot be respected.

<input checked="" type="checkbox"/>	FTSPARK - Discharge time output #1	63 us
<input checked="" type="checkbox"/>	FTSPARK - Discharge time output #2	64 us
<input checked="" type="checkbox"/>	FTSPARK - Discharge time output #3	61 us
<input checked="" type="checkbox"/>	FTSPARK - Discharge time output #4	67 us
<input checked="" type="checkbox"/>	FTSPARK - Discharge time output #5	58 us
<input checked="" type="checkbox"/>	FTSPARK - Discharge time output #6	75 us
<input checked="" type="checkbox"/>	FTSPARK - Discharge time output #7	58 us
<input checked="" type="checkbox"/>	FTSPARK - Discharge time output #8	72 us
<input checked="" type="checkbox"/>	FTSPARK - Supply voltage	16.283 V
<input checked="" type="checkbox"/>	FTSPARK - Supply voltage drop	0.000 V
<input checked="" type="checkbox"/>	FTSPARK - Ignition energy	610 mJ
<input checked="" type="checkbox"/>	FTSPARK - Internal temperature	20.0 °F
<input checked="" type="checkbox"/>	FTSPARK - #1 capacitor voltage	423.0 V
<input checked="" type="checkbox"/>	FTSPARK - #2 capacitor voltage	423.2 V
<input checked="" type="checkbox"/>	FTSPARK - #1 capacitor charge time	1189 us
<input checked="" type="checkbox"/>	FTSPARK - #2 capacitor charge time	1196 us

## 9.6 Status Events Information

Message	Possible causes	Solutions
Output # damaged	Output is damaged	Send to FuelTech's technical assistance
Output disabled	WARNING stating that an output has been disabled. Due to failure or high temperature.	This message is always displayed along with the reason that caused the shutdown.
Low voltage on the 12V switch	Voltage below 12V	Check the battery or a harness problem
Low voltage on the 15V power supply	Internal problem.	Send to FuelTech's technical assistance
Charging circuit can not load the capacitors	This message is always displayed along with the reason that caused the shutdown.	It may be a hardware problem or the positive power disconnected/off.
Overvoltage on high voltage bus	WARNING that the capacitor voltage exceeded 460V.	It cannot exceed 480V. If it exceeds the unit has to be sent to FuelTech's technical assistance.
Incorrect firing order	Wire connection is wrong when operating in wasted spark mode	Adjust the ignition order.
Blown internal fuse	Internal problem.	Send to FuelTech's technical assistance
Restarted unexpectedly during the operation	Generally, this message is caused by interference or an electrical problem in the installation	Check the installation, power grounds, ignition grounds, spark plugs and spark plugs cables.
Low voltage on the power supply	It may be an electrical problem (harness, connectors or kill switch) or a battery problem.	Check battery and harness

Power stage temperature exceeded 212 ° F	Severe use under not recommended conditions by FuelTech	Check the recommended conditions on this manual
Module restarted unexpected during spark	This problem is caused by ignition interference/noise.	Check spark plugs cables, spark plugs, coil harness route, etc.
Pulse not recognized	In serial mode, it received a signal out of specification.	It is usually a harness or harness route problem.
No load connected at output	There is nothing connected at the output	Check the harness, coil and connectors
Output with partial discharge	The coil is not consuming all energy sent by FTSPARK	Check the harness, coil and connectors

## 10. FTCAN 2.0 protocol

FTSPARK has an advanced diagnosis system for malfunctions, faults and problems. This helps a lot to diagnose and monitor the functions of your ignition system. When used in conjunction with a FuelTech PowerFT series ECU (FT450 or higher), this programming is already built in your ECU and no additional programming is required to receive and interpret all the information. When using FTSPARK together with other aftermarket ECU's or data acquisition systems that have a CAN communication port and can be programmed, it's still possible to have access to all of that data in order to use the benefits of the FTSPARK to its fullest.



### NOTE

*The CAN 2.0 protocol is available on our website under the manuals section  
Contact your ECU or data acquisition system manufacturer for instructions on how to make CAN programming according to this document.*

### 10.1 Physical layer

CAN 2.0B extended mode  
Rate: 1Mbps

### 10.2 Features

In this document we will approach the implementation of a custom protocol (FTCAN) running on top of a CAN 2.0B physical layer. One main rain feature of the FTCAN protocol is to provide a means to segment a large stream of data into many smaller CAN packets. We will consider a CAN FRAME as indicated below:

CAN FRAME	
29 bits	0 to 8 bytes
IDENTIFICATION	DATA FIELD

### 10.3 IDENTIFICATION

Each product that wants to send data to the CAN bus must have a unique identifier. Devices that will only receive data from the CAN bus don't need to have a unique ID.

IDENTIFICATION (29 bits)		
Bits 28 to 14 (15 bits)	Bits 13 to 11 (3 bits)	Bits 10 to 0 (11 bits)
ProductID	DataFieldID	MessageID

#### ProductID

Identifies the product that has sent the message. The lower the ProductID the higher is the priority in the CAN bus. In the network two devices that are the same type of product (two O2 sensors for example) cannot have the same ProductID. In order to differentiate two products of the same type the ProductID bits are divided as show below.

ProductID (15 bits)	
Bit 14 to 5 (10 bits)	Bits 4 to 0 (5 bits)
ProductTypeID	Unique identifier

Each product that wants to send data to the CAN bus must have a unique identifier. Devices that will only receive data from the CAN bus doesn't need to have a unique ID.

The ProductIDs are divided in priority ranges:

- Critical priority: 0x0000 to 0x1FFF
- High priority: 0x2000 to 0x3FFF
- Medium priority: 0x4000 to 0x5FFF
- Low priority: 0x6000 to 0x7FFF

A list with all the possible ProductTypeIDs is presented later in this document.

EN

## DataFieldID

Identifies the type of data structure that is being sent in the CAN FRAME -> DATA FIELD. There are 4 possible data layouts:

- 0x00: Standard CAN data field
- 0x01: Standard CAN data field coming from/going to a bus converter.
- 0x02: FTCAN 2.0 data field
- 0x03: FTCAN 2.0 data field coming from/going to a bus converter.

## MessageID

Identifies the data in the DATA FIELD. Example: commands, configuration data, real time readings, etc. The lower the MessageID the higher is the priority. The MessageID's most significant bit is reserved in order to identify a response from a command:

MessageID (11 bits)	
Bit 10	Bits 9 to 0 (10 bits)
Response (value 1)	Message code

### The priorities ranges are:

- Critical priority: 0x000 a 0x0FF
- High priority: 0x100 a 0x1FF
- Medium priority: 0x200 a 0x2FF
- Low priority: 0x300 a 0x3FF

A list with all the possible MessageIDs is presented later in this document.

## 10.4 DATA FIELD

In this data layout all 8 bytes of the DATA FIELD are used as valid data (PAYLOAD). All data is transmitted in one shot since this mode doesn't implement data segmentation.

### DataFieldID 0x00: Standard CAN

In this data layout all 8 bytes of the DATA FIELD are used as valid data (PAYLOAD). All data are transmitted in one shot since this mode doesn't implement data segmentation.

DATA FIELD (1 to 8 bytes)							
0	1	2	3	4	5	6	7
PAYLOAD							

### DataFieldID 0x01: Standard CAN Bridge (bridge, gateway or converter)

In this data layout all 8 bytes of the DATA FIELD will be forwarded by the bus converter.

The DataFieldID (0x01) is also used to identify packets that are originated outside the CAN bus. Bridge examples are: Standalone USB-CAN converter, FT500's USB-CAN bridge, etc.

DATA FIELD (1 to 8 bytes)							
0	1	2	3	4	5	6	7
PAYLOAD							

### DataFieldID 0x02: FTCAN 2.0

This is the DataFieldID that all FuelTech's devices will use to communicate with each other in the CAN bus. The data segmentation feature is implemented in this type of data layout. As can be seen in the diagrams below, the segmentation feature uses the first byte of the DATA FIELD to indicate which segment the following bytes are associated with.

- Single packet (all data is transmitted in one CAN packet)
- Segmented packet (data is transmitted in multiples CAN packets)

### Single packet

The first byte of the DATA FIELD will have the value of 0xFF. The following 7 bytes will have the message data (PAYLOAD).

DATA FIELD (1 to 8 bytes)							
0	1	2	3	4	5	6	7
0xFF	PAYLOAD						

### Segmented packet

In the first byte of the DATA FIELD there will be values ranging from 0x00 to 0xFE. The first segment will have the 0x00 value and the following packets will contain 0x01, 0x02 and so on. In the first segment the 2 bytes following the 0x00 value contain the segmentation data.

DATA FIELD (8 bytes)							
0	1	2	3	4	5	6	7
0x00	SEGMENTATION DATA			PAYLOAD			

**First segment**

DATA FIELD (1 to 8 bytes)							
0	1	2	3	4	5	6	7
0x00	PAYLOAD						

**Second segment**

DATA FIELD (1 to 8 bytes)							
0	1	2	3	4	5	6	7
0x01	PAYLOAD						

**Third segment (if present)**

DATA FIELD (1 to 8 bytes)							
0	1	2	3	4	5	6	7
0x02	PAYLOAD						

**Last segment (if present)**

DATA FIELD (1 to 8 bytes)							
0	1	2	3	4	5	6	7
0xFE	PAYLOAD						

EN



**NOTE**  
 The maximum PAYLOAD length will be:  $5 + (0xFD * 7) = 1776$  bytes.

The segmentation data contains the following information:

SEGMENTATION DATA (2 bytes)																
Bytes	1						2									
Bits	15	14	13	12	11	10	9	8	7	6	5	4	3	2	1	0
	RFU	RFU	RFU	RFU	RFU	PAYLOAD total length (in bytes)										

**RFU: Reserved for Future Use**

**DataFieldID 0x03: FTSCAN 2.0 Bridge (bridge, gateway or converter)**

This DataFieldID uses the same data layout from DataFieldID's 0x02 when the data is going to or coming from a BUS converter.

## 10.5 Attachments

**ProductID's list**

Since the 5 least significant bits of the ProductID are used for the unique value the FTSCAN protocol can have up to 32 devices of the same product type at the same time. The unique value will range from 0x00 to 0x1F. The limit for different products types will be 1024.

Priority	ProductID			Product Type
	ProductTypeID	Range		
		Start	Finish	
Critical	----	0x0FFF	0x0FFF	Device searching a ProductID (unique value undefined)
Medium	0x0243	0x4860	0x4861	FTSPARK

## MessageID's list

- 0x0FF, 0x1FF, 0x2FF and 0x3FF – Real time reading broadcast
- 0x0FF – Critical priority
- 0x1FF – High priority
- 0x2FF – Medium priority
- 0x3FF – Low priority

Those are the MessageIDs that the FuelTech's device will use to transmit its real time readings. The rate for each broadcast will depend on the type of data, critical data will be broadcasted more often. Examples of critical data: Ignition Cut, Two Step signal, emergency signals, etc. Examples of high priority data: RPM, ignition timing, actual injection flow, MAP, TPS, etc.

Values are always transmitted as signed 16 bits in big-endian byte order.

Statuses are transmitted as big-endian unsigned 16 bits.

Each real time data will be composed of 4 bytes:

REAL TIME DATA	
0-1	2-3
Data identifier (MeasureID)	Value or status (big endian)

If a device needs to broadcast more than one reading at the same time it can do so using a segmented packet:

Segmented packet PAYLOAD	
MEASURE 1	
0-1	2-3
MeasureID	Value/Stat

MEASURE 2	
4-5	6-7
MeasureID	Value/Stat

MEASURE 3	
8-9	10-11
MeasureID	Value/Stat



### NOTE

The maximum number of measures that can be transmitted on segmented packages are:  $1776/4 = 444$

Another possibility is to use a CAN standard data frame to transmit 2 measures at a time, all the devices in the CAN bus must be capable of receiving data using all the data layouts.

Segmented packet PAYLOAD			
MEASURE 1		MEASURE 2	
0-1	2-3	4-5	6-7
MeasureID	Value	MeasureID	Value

A list with the available MeasureIDs is presented further in this document.

- 0x600, 0x601, and 0x602 – Real time simple broadcast

Those are the MessageIDs that the FuelTech's device will use to transmit its real time readings using a fixed set of MeasureIDs. Each measure value is prefixed in a specific position in payload. The rate for each broadcast is 100Hz.

Values are always transmitted as signed 16 bits in big-endian byte order.

The data is transmitted **always** using a CAN standard data frame (DataFieldID 0x00) to transmit 4 measures at a time as shown in the following image:

Segmented packet PAYLOAD			
MEASURE 1	MEASURE 2	MEASURE 3	MEASURE 4
0-1	2-3	4-5	6-7
Value	Value	Value	Value

## MeasureIDs

The least significant bit of the MeasureID is used to indicate if the following value is the actual value or the reading status. Considering that the MeasureID have 16 bits in total we will use 15 bits to identify the data that is being transmitted.

MeasureID	
Bits 15 to 1	Bit 0
Data identifier (DataID)	0: Data value 1: Data status

MeasureID	DataID	Description	Unity	Multiplier	Broadcast source (rate*)
0x00A4	0x0052	External Ignition output 1 discharge time	uS	1	FTSPARK 50Hz
0x00A6	0x0053	External Ignition output 2 discharge time			
0x00A8	0x0054	External Ignition output 3 discharge time			
0x00AA	0x0055	External Ignition output 4 discharge time			
0x00AC	0x0056	External Ignition output 5 discharge time			
0x00AE	0x0057	External Ignition output 6 discharge time			
0x00B0	0x0058	External Ignition output 7 discharge time			
0x00B2	0x0059	External Ignition output 8 discharge time			
0x00B4	0x005A	External Ignition output 9 discharge time			
0x00B6	0x005B	External Ignition output 10 discharge time			
0x00B8	0x005C	External Ignition output 11 discharge time			
0x00BA	0x005D	External Ignition output 12 discharge time			
0x00BC	0x005E	External Ignition output 13 discharge time			
0x00BE	0x005F	External Ignition output 14 discharge time			
0x00C0	0x0060	External Ignition output 15 discharge time			
0x00C2	0x0061	External Ignition output 16 discharge time			
0x00C4	0x0062	External Ignition Power Supply	V	.001	FTSPARK 25Hz
0x00C6	0x0063	External Ignition Power Supply Drop			
0x00C8	0x0064	External Ignition Power Level	mJ	1	
0x00CA	0x0065	External Ignition Temperature	°C	0.1	
0x00CC	0x0066	External Ignition Capacitor 1 charge	V	0.1	
0x00CE	0x0067	External Ignition Capacitor 2 charge			
0x00D0	0x0068	External Ignition Capacitor 3 charge			
0x00D2	0x0069	External Ignition Capacitor 4 charge			
0x00D4	0x006A	External Ignition Capacitor 1 charge time	uS	1	
0x00D6	0x006B	External Ignition Capacitor 2 charge time			
0x00D8	0x006C	External Ignition Capacitor 3 charge time			
0x00DA	0x006D	External Ignition Capacitor 4 charge time			
0x00DC	0x006E	External Ignition Error code	-	Note 1	
0x00DE	0x006F	External Ignition no load outputs	-	Note 2	
0x00E0	0x0070	External Ignition partial discharge outputs	-		
0x00E2	0x0071	External Ignition damaged outputs	-		
0x00E4	0x0072	External Ignition disabled outputs	-	Note 3	
0x00E6	0x0073	External Ignition operation status	-		
0x022C	0x0116	External Ignition Switch voltage	V	0.001	
0x022E	0x0117	External Ignition CPU supply voltage			
0x0230	0x0118	External Ignition CPU temperature	°C	0.1	
0x0232	0x0119	External Ignition operation time	S	0.1	FTSPARK 10Hz
0x02A8	0x0154	External Ignition Power Supply – B	V	.001	FTSPARK 50Hz
0x02AA	0x0155	External Ignition Power Supply Drop - B			

MeasureID	DataID	Description	Unity	Multiplier	Broadcast source (rate*)
0x02AC	0x0156	External Ignition Power Level – B	mJ	1	FTSPARK 50Hz
0x02AE	0x0157	External Ignition Temperature - B	°C	0.1	
0x02B0	0x0158	External Ignition Capacitor 1 charge - B	V	0.1	
0x02B2	0x0159	External Ignition Capacitor 2 charge – B			
0x02B4	0x015A	External Ignition Capacitor 3 charge – B			
0x02B6	0x015B	External Ignition Capacitor 4 charge – B			
0x02B8	0x015C	External Ignition Capacitor 1 charge time – B	uS	1	

Only one of the possible sources is allowed to broadcast a specific DataID on the network. If one or more sources are broadcasting the same DataID a network conflict state is raised.

\*The broadcast transmission rate may vary when the ECU is under high RPM.

### Note 1

- **Bit 0:** Unknown pulse width received by the FT Ignition Bus.
- **Bit 1:** Incorrect ignition order in semi-sequential operation.
- **Bit 2:** Over voltage in the high voltage bus. (external ignition disabled until next power cycle).
- **Bit 3:** Under voltage in the output drivers power supply. (external ignition disabled while condition exists).
- **Bit 4:** Charge circuit unable to charge capacitors.
- **Bit 5:** Power supply under voltage.
- **Bit 6:** 12V switch under voltage.

### Note 2

Bit 0:	Output #1	Bit 8:	Output #9
Bit 1:	Output #2	Bit 9:	Output #10
Bit 2:	Output #3	Bit 10:	Output #11
Bit 3:	Output #4	Bit 11:	Output #12
Bit 4:	Output #5	Bit 12:	Output #13
Bit 5:	Output #6	Bit 13:	Output #14
Bit 6:	Output #7	Bit 14:	Output #15
Bit 7:	Output #8	Bit 15:	Output #16

### Note 3

- Bit 0: Internal use
- Bit 1: Internal use
- Bit 2: High power mode enabled

### Simplified packets

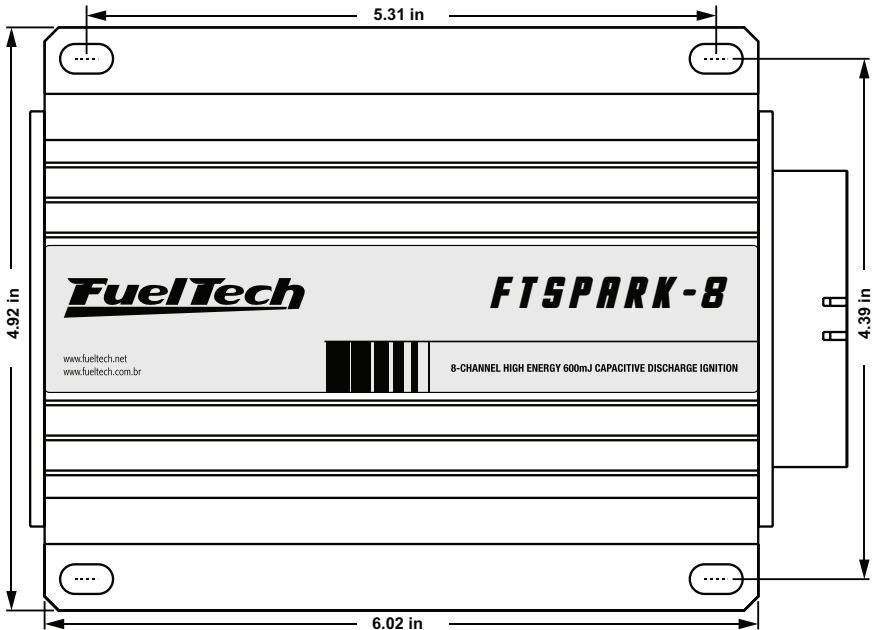
In addition to the standard packets the FTCAN 2.0 can also be used in conjunction with simplified broadcast packets. This simplified broadcast packets have a fixed and defined data structure and are only broadcasted by the ECUs. The following table shows the simplified packets:



ID (FT500)	ID (FT600/550/450)	Bytes							
		1	2	3	4	5	6	7	8
0x14000600	0x14080600	TPS		MAP		Air temp		Engine Temp	
0x14000601	0x14080601	Oil Pressure		Fuel Pressure		Water Pressure		Gear	
0x14000602	0x14080602	Exhaust O2		RPM		Oil Temp		Pit Llimit	
0x14000603	0x14080603	Wheel Speed FR		Wheel Speed FL		Wheel Speed RR		Wheel Spped RL	
0x14000604	0x14080604	Traction Ctrl - Slip		Traction Ctrl - Retard		Traction Ctrl - Cut		Heading	
0x14000605	0x14080605	Shock sensor FR		Shock sensor FL		Shock sensor RR		Shock sensor RL	
0x14000606	0x14080606	G-force (accel)		G-force (lateral)		Yaw-rate (frontal)		Yaw-rate (lateral)	
0x14000607	0x14080607	Lambda Correction		Fuel Flow Total					

EN

### 11. Dimensions



## 1. Índice

2.	Apresentação.....	1
3.	Termo de Garantia.....	1
4.	Características .....	2
5.	Instalação.....	3
5.1	Montagem .....	3
5.2	Alimentação .....	3
5.3	Conexões do chicote elétrico.....	4
5.4	Diagramas de ligação .....	10
5.5	Instalação do chicote.....	16
5.6	Posicionamento dos fios do chicote .....	16
5.7	Bobinas .....	16
5.8	Cabos de Vela.....	17
5.9	Velas.....	17
6.	Controle da FTSPARK.....	17
6.1	Acionamento Individual .....	17
6.2	Acionamento Serial (1 fio).....	17
6.3	Borda de Acionamento de Ignição.....	18
6.4	Rede CAN .....	18
6.5	Seleção do nível de energia .....	18
6.6	Operação com centelha perdida (somente 750mJ).....	19
6.7	Proteções .....	20
6.8	Atraso do módulo ignição .....	20
7.	Recalibrando o mapa de ignição e combustível .....	20
8.	LED Indicador de funcionamento.....	21
9.	Configuração e operação da FTSPARK .....	21
9.1	Configuração da FTSPARK .....	21
9.2	Configuração para mais de um módulo FTSPARK no mesmo veículo .....	22
9.3	Energia de ignição .....	23
9.4	Tabelas de ligação.....	23
9.5	Canais do Datalogger .....	24
9.6	Informações do Eventos de Status.....	25
10.	Protocolo FTCAN 2.0 .....	25
10.1	Estrutura física .....	26
10.2	Recursos .....	26
10.4	DATA FIELD.....	27
10.5	Anexos .....	28

## 2. Apresentação

A FTSPARK é um módulo de ignição capacitiva de altíssima energia que vem para atender os mais altos níveis de exigência de energia de faísca, sendo capaz de gerar uma centelha de **750mJ** (mJ = mili Joules - *energia mínima garantida, pode atingir até 850mJ*) ou de **1500mJ** (FTSPARK EXTREME - *energia mínima garantida, pode atingir até 1700mJ*) de energia e é capaz de disparar a centelha com 140 Amperes de corrente e 475V no primário da bobina. Com essas características a FTSPARK, gera uma centelha com aproximadamente 5 vezes mais energia e 10 vezes mais corrente em comparação com uma SparkPRO garantindo uma queima em qualquer condição, especialmente nas de mistura extremamente rica.

### Diferenciais da FTSPARK:

- Compatível com motores rotativos;
- Energia programável via CAN ou entrada para ajuste de nível de energia;
- Tensão de 475V no primário da bobina, o que auxilia na prevenção de interferência no sistema;
- Corrente no primário da bobina de 140 Amperes com bobina Racing CDI FuelTech para FTSPARK 750mJ;
- Corrente no primário da bobina de 175 Amperes com bobina Racing CDI FuelTech para FTSPARK 1500mJ (FTSPARK EXTREME);
- Comunicação CAN com a linha FuelTech Power FT para diagnóstico do equipamento e gravação de canais em datalogger;
- Caixa em alumínio anodizado;
- Conector automotivo com terminais banhados a ouro;
- Barramento serial (1 fio) que permite o uso de apenas uma saída da ECU que dispara todas as saídas da ignição;

PT

## 3. Termo de Garantia

A utilização deste equipamento implica na total concordância com os termos descritos neste manual e exime o fabricante de qualquer responsabilidade sobre a utilização incorreta do produto. Leia todo o Manual do produto antes de começar a instalação.

**Este produto deve ser instalado e regulado apenas por oficinas especializadas ou pessoas capacitadas e que tenham experiência com regulação e preparação de motores.**

A desobediência a qualquer um dos avisos e precauções descritos neste manual pode causar danos ao motor e perda da garantia deste produto.

**Acerto incorreto do produto pode causar danos ao motor.**

**Antes de começar qualquer instalação elétrica desconecte a bateria.**

Este equipamento não possui certificação para utilização em aeronaves ou semelhantes, portanto não é prevista para este fim.

Em alguns países que realizam inspeção veicular anual não é permitida qualquer modificação no sistema de injeção original. Informe-se antes da instalação.



### Avisos Importantes para a correta instalação:

**Sempre corte as sobras de fio – NUNCA enrole o pedaço sobrando, pois isso se torna uma antena captadora de interferências e pode gerar o mau funcionamento do equipamento.**

## Garantia Limitada

A garantia deste produto é de um ano a partir da data da compra e cobre apenas defeitos de fabricação. Defeitos e danos causados pela incorreta utilização do produto não são cobertos por garantia.



### ATENÇÃO

Esse produto possui lacre interno de garantia. Qualquer tentativa de desmontar o produto fora da fábrica irá romper o mesmo invalidando a garantia de forma permanente.

Manual versão 2.5 – Outubro/2023

PT

## 4. Características

- Dimensões: 125mm (largura) x 153mm (comprimento) x 50mm (altura)
- Peso: 930g (sem embalagem);
- Material: Alumínio Anodizado e Plástico;
- Temperatura Máxima de trabalho entre 90 e 100 °C;
- Tensão de alimentação para plena potência: 14-26V. Tensão mínima para partida 8V;
- Máxima frequência de operação: 670 Hz;

**\*\* Versão anterior**

Especificação	**600mJ	750mJ	1500mJ
Energia mínima garantida	600mJ	750mJ	1500mJ
Energia máxima	680mJ	850mJ	1700mJ
Corrente no primário da bobina	125A	140A	175A
Corrente na vela de ignição (não resistiva)	1.70A	1.95A	2.50A
Duração de centelha	300uS	330uS	400uS

### Consumo de Corrente:

FTSPARK-4 (4 bobinas)	20A @ 10000RPM
FTSPARK-6 (6 bobinas)	30A @ 10000RPM
FTSPARK-8 (8 bobinas)	40A @ 10000RPM
FTSPARK-4 EXTREME (4 Bobinas) 1500mJ	40A @ 10000RPM
FTSPARK-8 EXTREME (8 Bobinas) 1500mJ (composto por dois módulos FTSPARK)	FTSPARK(A) - 40A @ 10000RPM FTSPARK(B) - 40A @ 10000RPM

### Chicote elétrico

FTSPARK-4 (4 bobinas):	23 fios
FTSPARK-6 (6 bobinas):	29 fios
FTSPARK-8 (8 bobinas):	35 fios
FTSPARK-4 EXTREME (4 bobinas):	21 fios
FTSPARK-8 EXTREME (8 Bobinas):	42 fios

Comprimento do chicote elétrico: 1,5 metros nas saídas de potência ligadas as bobinas e 3 metros nos demais cabos.

RPM de máxima operação por aplicação (com bateria de 16V) motores a pistão

Cilindros	Sequencial	Centelha Perdida / 2 Tempos
4	22.500 RPM	11.250 RPM
4 (EXTREME)	11.250 RPM	NÃO COMPATÍVEL
5	15.000 RPM	NÃO COMPATÍVEL
6	15.000 RPM	NÃO COMPATÍVEL
8	11.250 RPM	NÃO COMPATÍVEL
8 (EXTREME)	11.250 RPM	NÃO COMPATÍVEL

RPM de máxima operação por aplicação (com bateria de 16V) motores rotativos

Rotores	Rotativos	Unidades
2	11.250 RPM	1 x FTSPARK-4
3	15.000 RPM	2 x FTSPARK-4
4	11.250 RPM	2 x FTSPARK-4

PT



**IMPORTANTE**

**FTSPARK EXTREME não é compatível com motores Rotativos.**

## 5. Instalação

Ignições capacitivas requerem atenção especial na instalação para o correto funcionamento. O sistema elétrico do carro é bastante exigido em função do consumo elevado de corrente do módulo e nível de tensão presente nos cabos. É fundamental seguir as regras de instalação presentes nesse manual.



**NOTA**

*Se o LOG apresentar uma queda de energia, é necessário verificar a instalação elétrica com a bateria. E em casos onde a bateria esta instalada longe da FTSPARK, é necessário aumentar a bitola do fio.*

*Uma solução nestes casos é puxar um borne deslocado mais próximo da FTSPARK, com um fio de bitola 2 AWG.*

### 5.1 Montagem

A montagem deve ser feita utilizando os coxins de borracha fornecidos. Sempre use os quatro pontos disponíveis no gabinete da FTSPARK.

**A FTSPARK deverá ser fixada em um local longe de fortes fontes de calor como turbinas e coletores de escapamento, pois ela já gera muito calor por si só. É importante fixá-la no local mais arejado possível (caso seja instalada no cofre do motor).**

### 5.2 Alimentação

NUNCA inverta os terminais de alimentação da FTSPARK. Ela possui proteção limitada contra inversão de bateria, que pode não funcionar com alguns tipos de bobina, onde a mesma fornece um caminho para a corrente circular.



## IMPORTANTE

- Sempre ligue os cabos de alimentação de potência diretamente na bateria com um fusível de 50A para CADA FTSPARK.
- Não use o chassi ou bloco do motor como terra para a FTSPARK. Use o terminal negativo da bateria.

A alimentação da FTSPARK, assim como todas as demais cargas do carro, deve passar pela chave geral por questões de segurança e a chave geral NUNCA deve cortar o negativo, sempre o positivo.

Para ligar e desligar a FTSPARK utilize o fio de entrada no pino 12, alimentação 12V pós-chave.

Não conecte a FTSPARK em elevadores de tensão, ela tem picos de corrente de mais de 100 Ampéres e os elevadores causarão mau funcionamento da mesma.

Não use a FTSPARK em sistemas com tensão de alimentação com mais de 26V.

PT

## 5.3 Conexões do chicote elétrico

Tabela de Ligações para 750mJ

Pino	Fio	Gravação	Função
1	Laranja	COIL A (+)	Saída para o primário da bobina. Alta tensão
2	Laranja	COIL B (+)	
3	Laranja	COIL C (+)	
4	Laranja	COIL D (+)	
5	Laranja	COIL E (+)	
6	Laranja	COIL F (+)	Saída para o primário da bobina. Alta tensão
7	Laranja	COIL G (+)	
8	Laranja	COIL H (+)	
9	Amarelo	Nível de energia	Seleção do nível de energia; OBS: Se a FTSPARK for conectada via rede CAN não é necessário ligar esse pino.
10	Amarelo/Azul	--	Chicote CANBUS CAN LOW
11	Amarelo/Branco	--	Chicote CANBUS CAN HI
12	Vermelho	12V pós-chave	Alimentação que liga/desliga a FTSPARK
13	Preto	COIL A (-)	Saída para o primário da bobina. Cabo 750V. Trançado <b>OBS: Não conectar a malha no negativo da bobina.</b>
14	Preto	COIL B (-)	
15	Preto	COIL C (-)	
16	Preto	COIL D (-)	
17	Preto	COIL E (-)	
18	Preto	COIL F (-)	
19	Preto	COIL G (-)	
20	Preto	COIL H (-)	
21	Preto	-BAT	Alimentação de potência da FTSPARK. Ligar no terra da bateria
22	Preto	-BAT	
23	Preto	-BAT	
24	Cinza	Entrada Ignição A	Entrada de disparo da ignição A ou Serial (1fio)
25	Cinza	Entrada Ignição B	Entrada de disparo da ignição B
26	Cinza	Entrada Ignição C	Entrada de disparo da ignição C

27	Cinza	Entrada Ignição D	Entrada de disparo da ignição D
28	Cinza	Entrada Ignição E	Entrada de disparo da ignição E
29	Cinza	Entrada Ignição F	Entrada de disparo da ignição F
30	Cinza	Entrada Ignição G	Entrada de disparo da ignição G
31	Cinza	Entrada Ignição H	Entrada de disparo da ignição H
32	Preto	Negativo da ECU	Ligar no negativo de bateria junto aos terras de sinal da ECU
33	Vermelho	+BAT	Alimentação de potência da FTSPARK. Ligar no positivo bateria ou chave geral quando obrigatória
34	Vermelho	+BAT	
35	Vermelho	+BAT	

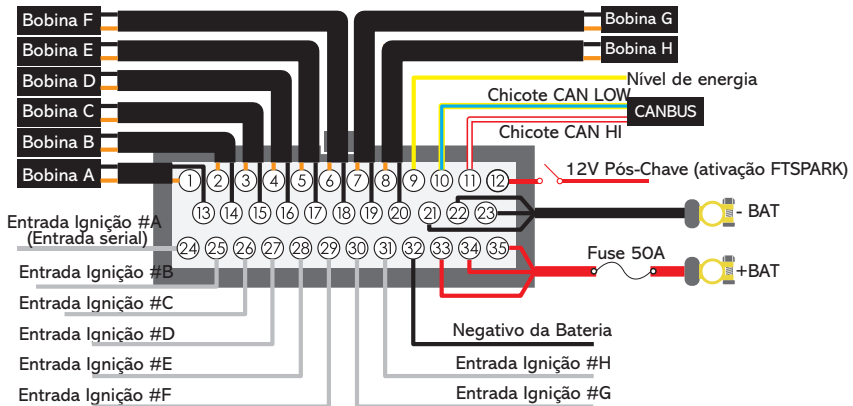


Diagrama do conector da FTSPARK-8

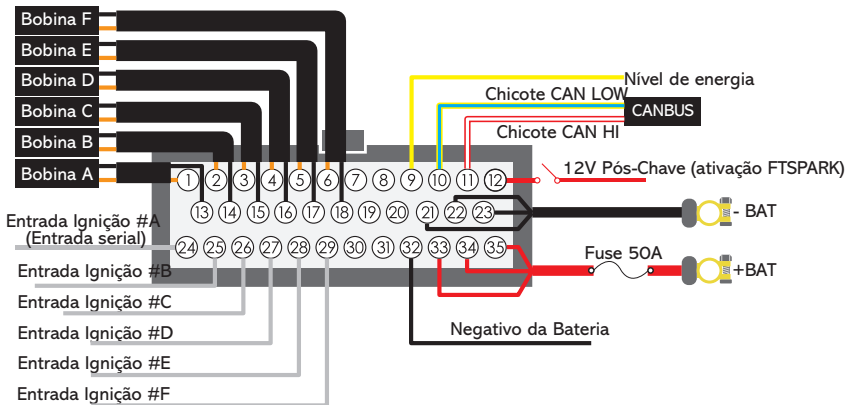


Diagrama do conector da FTSPARK-6

PT

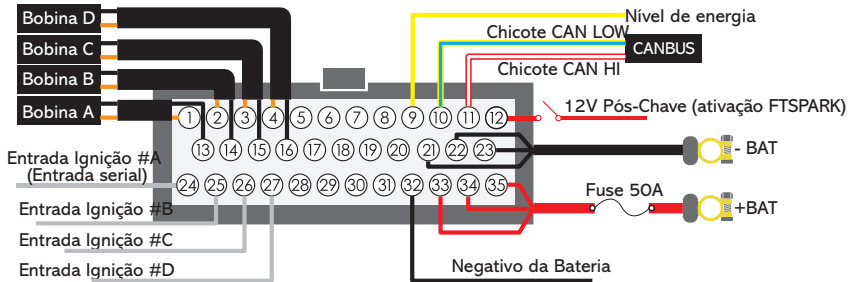


Diagrama do conector da FTSPARK-4

PT

## Tabela de Ligações para 1500mJ (EXTREME) - 4 Cilindros

Pino	Fio	Gravação	Função
1	Laranja	COIL A (+)	Saída para o primário da bobina. Alta tensão
2	Laranja	COIL B (+)	
3	Laranja	COIL C (+)	
4	Laranja	COIL D (+)	
5	Não Utilizado	-	Não Utilizado
6	Não Utilizado		
7	Não Utilizado		
8	Não Utilizado		
9	Amarelo	Nível de energia	Seleção do nível de energia; OBS: Se a FTSPARK for conectada via rede CAN não é necessário ligar esse pino.
10	Amarelo/Azul	--	Chicote CANBUS CAN LOW
11	Amarelo/Branco	--	Chicote CANBUS CAN HI
12	Vermelho	12V pós-chave	Alimentação que liga/desliga a FTSPARK
13	Preto	COIL A (-)	Saída para o primário da bobina. Cabo 750V. Trançado <b>OBS: Não conectar a malha no negativo da bobina.</b>
14	Preto	COIL B (-)	
15	Preto	COIL C (-)	
16	Preto	COIL D (-)	
17	Não Utilizado	-	Não Utilizado
18	Não Utilizado		
19	Não Utilizado		
20	Não Utilizado		
21	Preto	-BAT	Alimentação de potência da FTSPARK. Ligar no terra da bateria
22	Preto	-BAT	
23	Preto	-BAT	
24	Cinza	Entrada Ignição A	Entrada de disparo da ignição A ou Serial (1 fio)
25	Cinza	Entrada Ignição B	Entrada de disparo da ignição B
26	Cinza	Entrada Ignição C	Entrada de disparo da ignição C
27	Cinza	Entrada Ignição D	Entrada de disparo da ignição D



28	Não Utilizado		-	Não Utilizado
29	Não Utilizado			
30	Não Utilizado			
31	Não Utilizado			
32	Preto	Negativo da ECU		Ligar no negativo de bateria junto aos terras de sinal da ECU
33	Vermelho	+BAT		Alimentação de potência da FTSPARK. Ligar no positivo bateria ou chave geral quando obrigatória
34	Vermelho	+BAT		
35	Vermelho	+BAT		

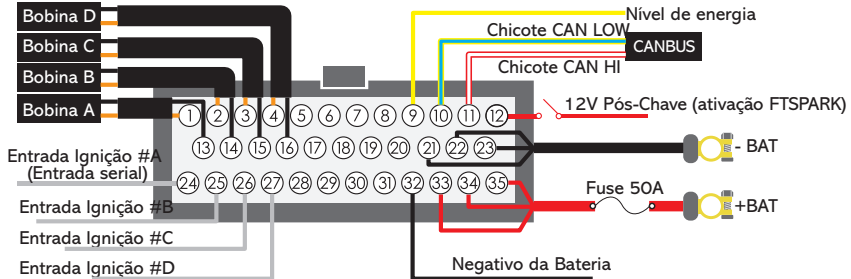


Diagrama do conector da FTSPARK-4

Tabela de Ligações para 1500mJ (EXTREME) - 8 Cilindros (Módulo - A)

Pino	Fio	Gravação	Função
1	Laranja	COIL A (+)	Saída para o primário da bobina. Alta tensão
2	Não Utilizado	-	
3	Não Utilizado	-	
4	Laranja	COIL D (+)	
5	Não Utilizado	-	
6	Laranja	COIL F (+)	
7	Laranja	COIL G (+)	
8	Não Utilizado	-	
9	Amarelo	Nível de energia	Seleção do nível de energia; OBS: Se a FTSPARK for conectada via rede CAN não é necessário ligar esse pino.
10	Amarelo/Azul	--	Chicote CANBUS CAN LOW
11	Amarelo/Branco	--	Chicote CANBUS CAN HI
12	Vermelho	12V pós-chave	Alimentação que liga/desliga a FTSPARK
13	Preto	COIL A (-)	Saída para o primário da bobina. Cabo 750V. Trançado <b>OBS: Não conectar a malha no negativo da bobina.</b>
14	Não Utilizado	-	
15	Não Utilizado	-	
16	Preto	COIL D (-)	
17	Não Utilizado	-	
18	Preto	COIL F (-)	
19	Preto	COIL G (-)	
20	Não Utilizado	-	

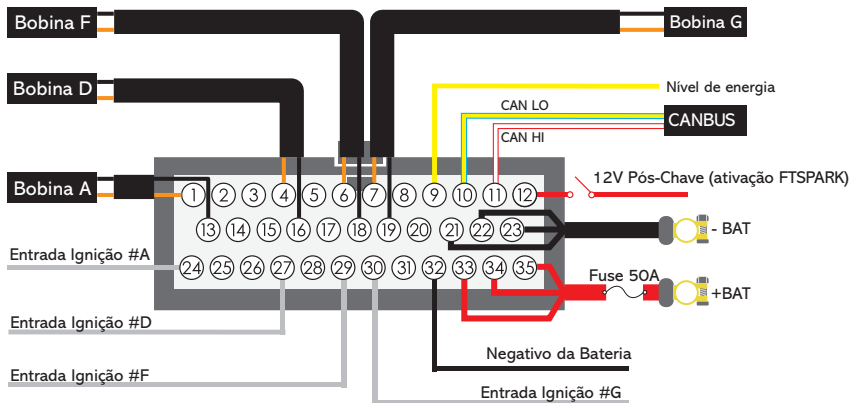
21	Preto	-BAT	Alimentação de potência da FTSPARK. Ligar no terra da bateria
22	Preto	-BAT	
23	Preto	-BAT	
24	Cinza	Entrada Ignição A	Entrada de disparo da ignição A ou Serial (1fio)
25	Não Utilizado	-	-
26	Não Utilizado	-	-
27	Cinza	Entrada Ignição D	Entrada de disparo da ignição D
28	Não Utilizado	-	-
29	Cinza	Entrada Ignição F	Entrada de disparo da ignição F
30	Cinza	Entrada Ignição G	Entrada de disparo da ignição G
31	Não Utilizado	-	-
32	Preto	Negativo da ECU	Ligar no negativo de bateria junto aos terras de sinal da ECU
33	Vermelho	+BAT	Alimentação de potência da FTSPARK. Ligar no positivo bateria ou chave geral quando obrigatória
34	Vermelho	+BAT	
35	Vermelho	+BAT	

**Tabela de Ligações para 1500mJ (EXTREME) - 8 Cilindros (Módulo - B)**

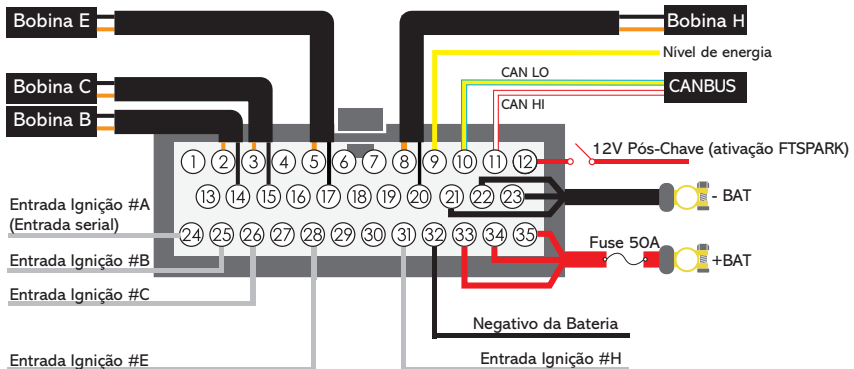
Pino	Fio	Gravação	Função
1	Não Utilizado	-	Saída para o primário da bobina. Alta tensão
2	Laranja	COIL B (+)	
3	Laranja	COIL C (+)	
4	Não Utilizado	-	
5	Laranja	COIL E (+)	
6	Não Utilizado	-	
7	Não Utilizado	-	
8	Laranja	COIL H (+)	
9	Amarelo	Nível de energia	Seleção do nível de energia; OBS: Se a FTSPARK for conectada via rede CAN não é necessário ligar esse pino.
10	Amarelo/Azul	--	Chicote CANBUS CAN LOW
11	Amarelo/Branco	--	Chicote CANBUS CAN HI
12	Vermelho	12V pós-chave	Alimentação que liga/desliga a FTSPARK
13	Não Utilizado	-	Saída para o primário da bobina. Cabo 750V. Trançado <b>OBS: Não conectar a malha no negativo da bobina.</b>
14	Preto	COIL B (-)	
15	Preto	COIL C (-)	
16	Não Utilizado	-	
17	Preto	COIL E (-)	
18	Não Utilizado	-	
19	Não Utilizado	-	
20	Preto	COIL H (-)	
21	Preto	-BAT	Alimentação de potência da FTSPARK. Ligar no terra da bateria
22	Preto	-BAT	
23	Preto	-BAT	
24	Cinza	Entrada Ignição A	Somente utilizado para ligação em modo Serial
25	Cinza	Entrada Ignição B	Entrada de disparo da ignição B

26	Cinza	Entrada Ignição C	Entrada de disparo da ignição C
27	Não Utilizado	-	
28	Cinza	Entrada Ignição E	Entrada de disparo da ignição E
29	Não Utilizado	-	
30	Não Utilizado	-	
31	Cinza	Entrada Ignição H	Entrada de disparo da ignição H
32	Preto	Negativo da ECU	Ligar no negativo de bateria junto aos terras de sinal da ECU
33	Vermelho	+BAT	Alimentação de potência da FTSPARK. Ligar no positivo bateria ou chave geral quando obrigatória
34	Vermelho	+BAT	
35	Vermelho	+BAT	

PT

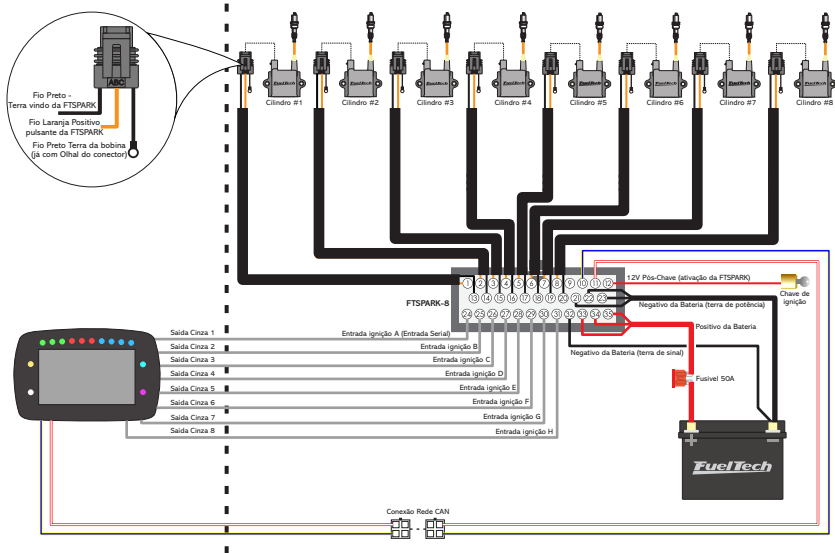


FTSPARK -8 Módulo (A)

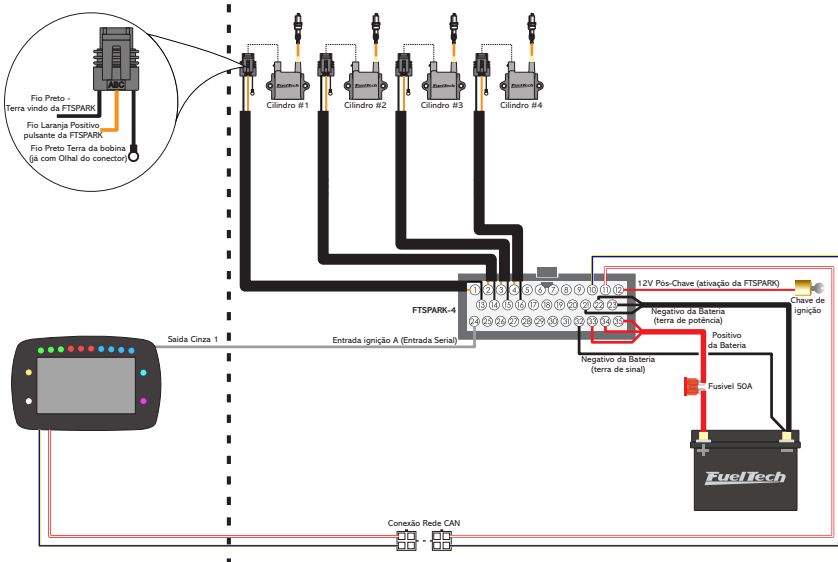


## 5.4 Diagramas de ligação

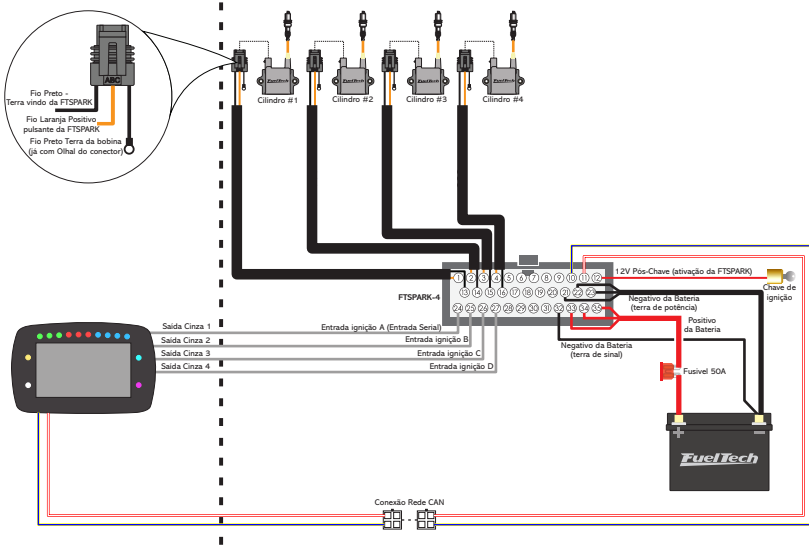
### Bobina individual Racing CDI FuelTech



### 4 Cilindros configurado em modo serial (1 fio - Somente Power FT)

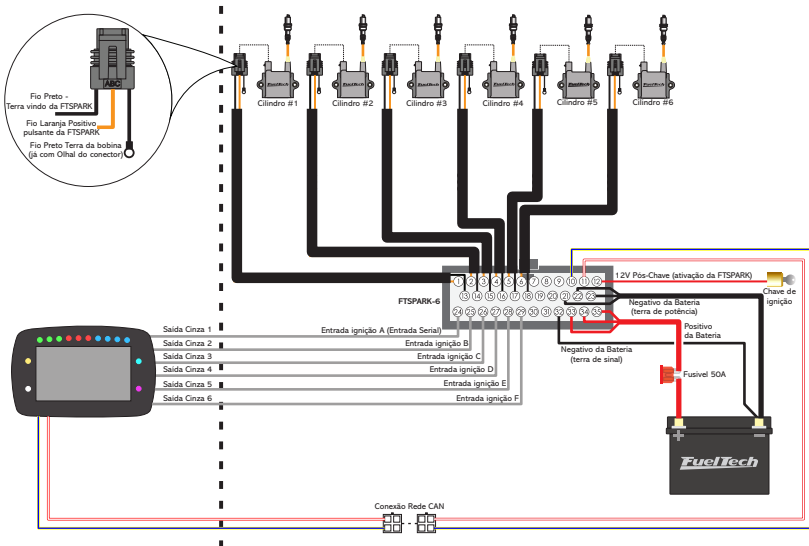


4 Cilindros configurado em múltiplas saídas

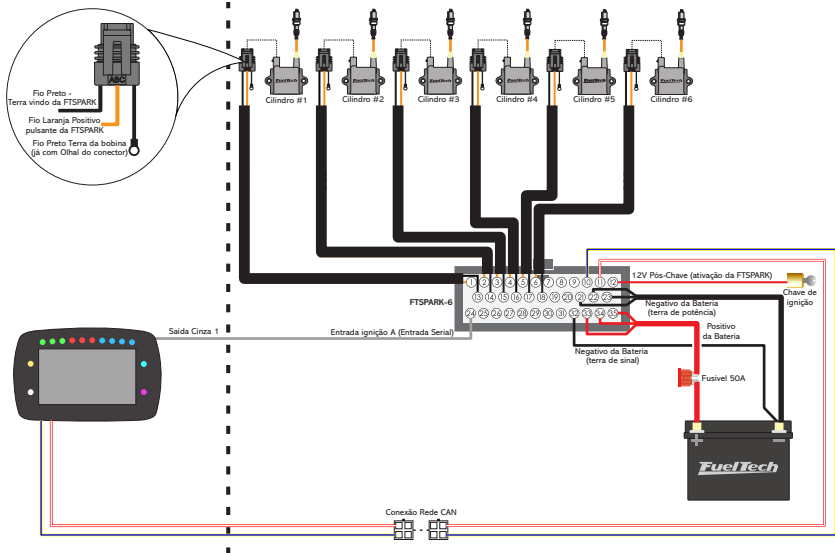


PT

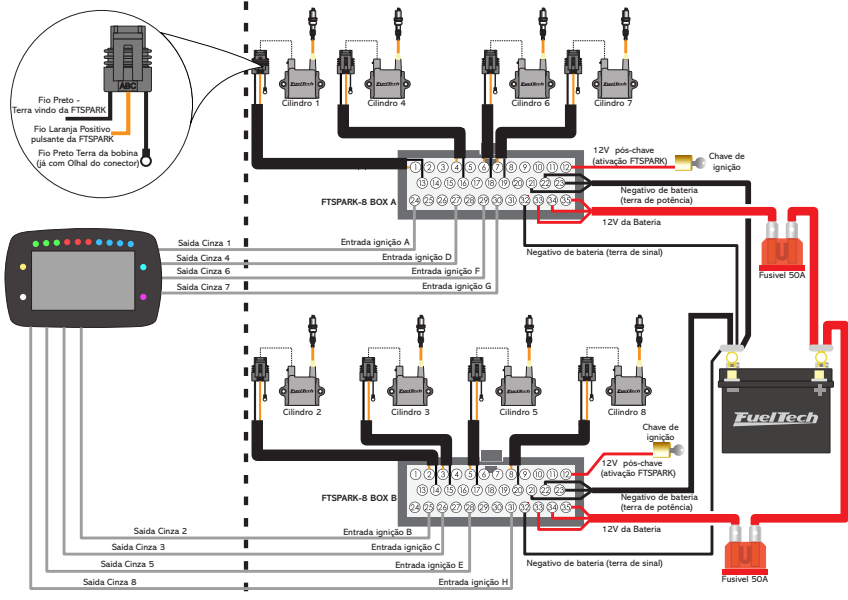
6 Cilindros configurado em múltiplas saídas



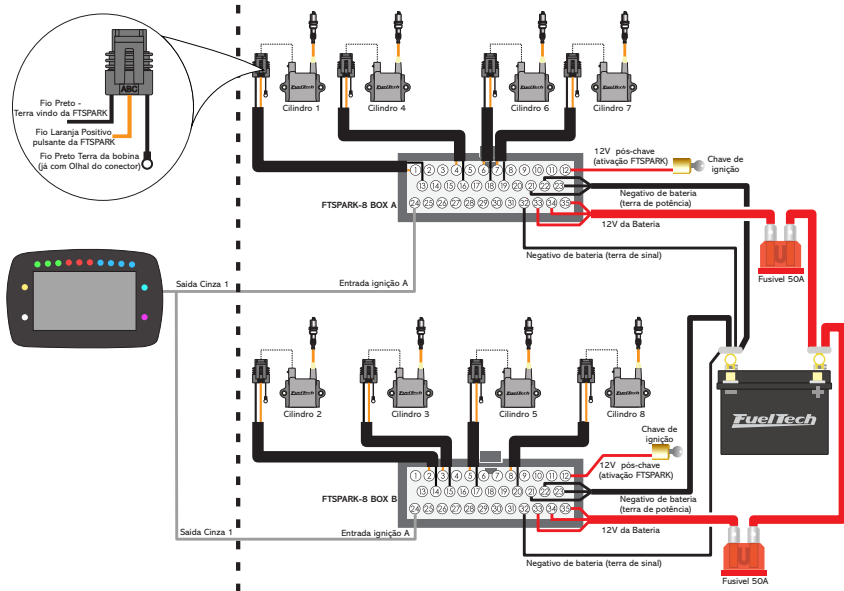
## 6 Cilindros configurado em modo serial (1 fio - Somente Power FT)



## 8 Cilindros FTSPARK EXTREME

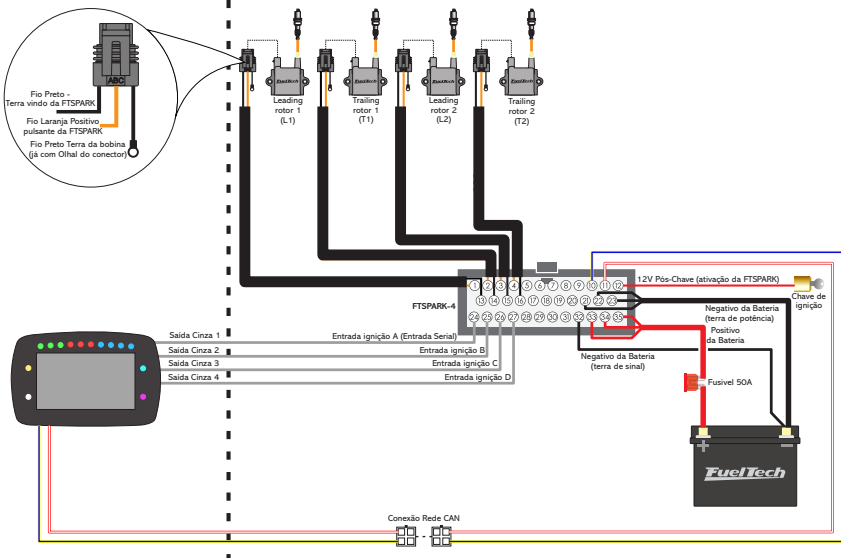


8 Cilindros FTSPARK EXTREME - modo serial (1 fio)



PT

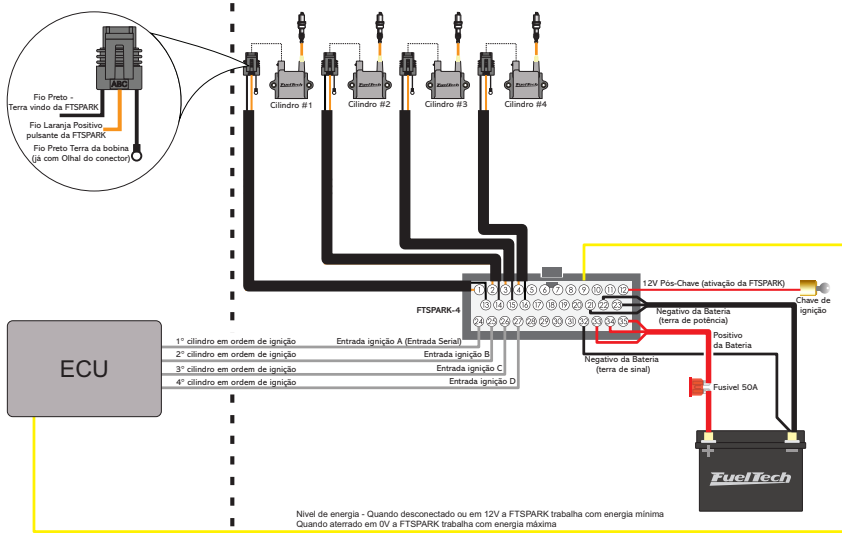
2 Rotores com bobinas individuais





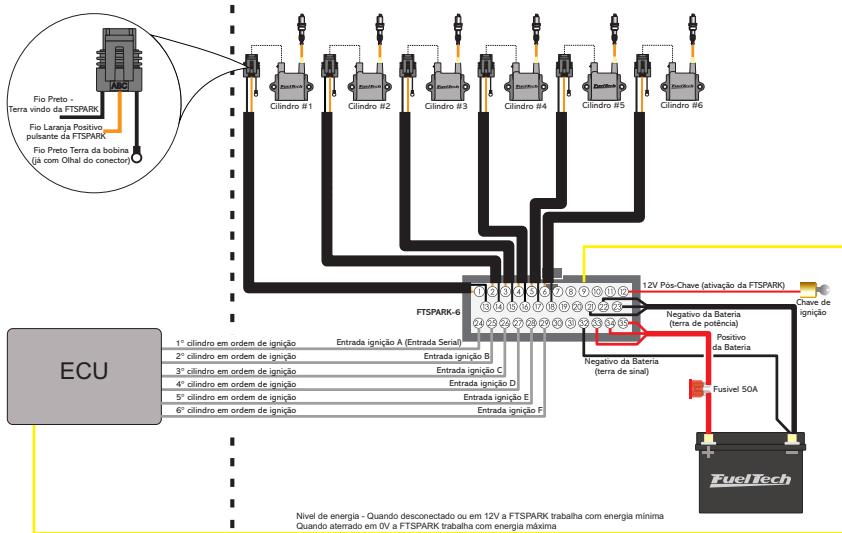


FTSPARK-4 com gerenciamento por outra ECU



PT

FTSPARK-6 com gerenciamento por outra ECU



Função	Cor / Isolamento
Saídas de ignição (Bobinas)	Laranja AWG 16 (1.5mm <sup>2</sup> ) 750V
Saídas de ignição (Bobinas)	Preto AWG 16 (1.5mm <sup>2</sup> ) 750V
- BAT	Preto AWG 16 (1.5mm <sup>2</sup> ) 300V até a emenda e após AWG 10 (4.5mm <sup>2</sup> )
+ BAT	Vermelho AWG 16 (1.5mm <sup>2</sup> ) 300V até a emenda e após AWG 10 (4.5mm <sup>2</sup> )
Entrada de ignição	Cinza AWG 20 (0.5mm <sup>2</sup> ) 300V
Nível de energia	Amarelo AWG 20 (0.5mm <sup>2</sup> ) 300V
12V	Vermelho AWG 20 (0.5mm <sup>2</sup> ) 300V
Negativo ECU	Preto AWG 20 (0.5mm <sup>2</sup> ) 300V

## 5.5 Instalação do chicote

**PT**

Os terminais do conector principal foram feitos para serem crimpados com alicate apropriado. Nunca solde os terminais, pois o metal adicional causará problemas de isolamento elétrica dentro do conector. Planeje a instalação para evitar alongar partes do chicote. Se isso for inevitável, os fios trançados devem continuar trançados na parte estendida. Saídas de potência ligadas ao primário da bobina devem utilizar fios com isolamento mínima de 750V.

## 5.6 Posicionamento dos fios do chicote

Nunca passe os cabos de saída que se conectam as bobinas (cabos laranja trançados de 1,5 m) junto com os demais fios da FTSPARK ou com outros chicotes elétricos do carro. O sinal presente nesses cabos é capaz induzir correntes elevadas em cabos vizinhos, o que pode gerar mau funcionamento em outros sistemas do carro e até mesmo danificar entradas e saídas de outros módulos.

A distância mínima recomendada desses cabos dos demais cabos do sistema elétrico é de 10 cm, se isso não puder ser feito, o cabo deverá ser completamente isolado com espaguete de malha de aço.

## 5.7 Bobinas

Utilize apenas bobinas aprovadas e testadas pela FuelTech. A grande maioria das bobinas concebidas para operação indutiva reduz muito a performance da FTSPARK. Uma bobina indutiva muito boa quase nunca é garantia de performance semelhante quando utilizada com a FTSPARK.

Algumas bobinas desenvolvidas para uso com CDIs OEM (uso náutico ou motocicletas) podem danificar o CDI por não conseguir absorver o pico de potência enviado pela FTSPARK.

Abaixo a bobina recomendada pela FuelTech.

### Ligação da bobina FuelTech

- A - Fio preto (terra vindo da FTSPARK);
- B - Fio Laranja (positivo pulsante da FTSPARK);
- C - Terra da bobina (já com olhal do conector);



**IMPORTANTE**

**OBS: Não conectar a malha no negativo da bobina.**

Modelo	Fabricante
Racing CDI	FuelTech



**IMPORTANTE**

**O terminal com olhal "pino C" deve ser conectado obrigatoriamente no cabeçote do motor o mais próximo possível da vela que esta ligada a bobina.**

## 5.8 Cabos de Vela

Não use cabos de vela diretos, sem supressão ou cabos apenas com os terminais supressivos. É obrigatório o uso de cabos de vela com supressão de RFI (Interferência por rádio frequência) para garantir o bom funcionamento de todos os equipamentos eletrônicos presentes no veículo.

Cabos de vela de baixa resistência com características supressivas são os recomendados.

## 5.9 Velas

O uso de velas não resistivas aumenta muito a energia da centelha com ignições capacitivas, contudo nem todas as instalações irão funcionar corretamente em função do nível de interferência gerado. Nesses casos o uso de velas resistivas é obrigatório.

Mantenha as velas limpas e livres de óleo ou graxa para prevenir problemas de isolamento elétrica.

Velas que não permitem ajuste de GAP ou tem a descarga via superfície, são projetadas apenas para uso em motores aspirados. Em motores turboalimentados mantenha o GAP de vela sempre inferior a 0.6mm.



### ATENÇÃO

**Falhas no sistema de ignição devido a GAP excessivo danificam as bobinas e também a FTSPARK. A energia liberada pela ignição ao não encontrar um caminho para ser dissipada, acaba voltando para a bobina ou para a saída da FTSPARK.**

## 6. Controle da FTSPARK

A FTSPARK tem dois modos de operação. Acionamento Individual ou via serial (1 fio).

### 6.1 Acionamento Individual

Nesse modo a FTSPARK opera usando os sinais presentes nas entradas ENTRADA IGNIÇÃO A até H. Para configurar na linha Power FT, basta habilitar a opção FTSPARK e selecionar múltiplas saídas. Em outros modelos é necessário selecionar a opção SparkPRO/3 fios com tempo de dwell de 3ms. Tempos maiores ou menores, poderão causar operação anormal. A tensão recomendada nos sinais de entrada é 0V para nível baixo e 5-14V para nível alto. Usar o NEGATIVO DA ECU conectado à saída de terra para sensores da FT ou ao negativo de bateria em outras situações como referência para estes sinais de acionamento.

### 6.2 Acionamento Serial (1 fio)

Nesse modo a FTSPARK opera usando apenas a ENTRADA IGNIÇÃO A. Isso libera mais saídas para uso com outros recursos e reduz a quantidade de cabos do chicote. Esse modo está disponível apenas quando o módulo for conectado a uma ECU da linha Power FT.

### FTSPARK EXTREME

Para motores de 8 cilindros que trabalham com 1500mJ (*energia mínima garantida, pode atingir até 1700mJ*) é necessário que o acionamento serial seja compartilhado entre os dois Módulo A e B, ou seja, a entrada de ignição A deve ser ligada em ambos os Módulo no pino 24.



### NOTAS

- O protocolo serial não é compatível com nenhuma outra ECU do mercado, sistema exclusivo e proprietário da FuelTech.
- O acionamento serial NÃO pode ser usado para motores rotativos.

## 6.3 Borda de Acionamento de Ignição

A FTSPARK foi projetada para receber sinal de acionamento de ignição na BORDA de DESCIDA da ECU, certifique-se que as configurações da ECU estão corretas para o acionamento com BORDA de DESCIDA para ter o tempo de ignição correto

## 6.4 Rede CAN

A rede CAN permite que a ECU escolha o nível de energia, sem o uso do fio de seleção do nível de energia. Além disso, a FTSPARK é capaz de gerar uma série de diagnósticos via rede CAN que são gravados pela ECU (Linha Power FT).

### PT Ligação da Rede CAN

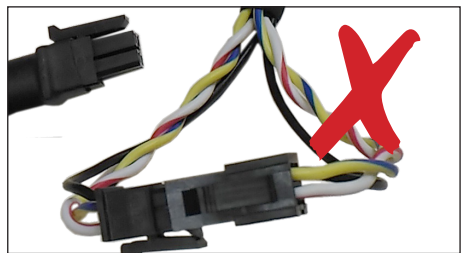
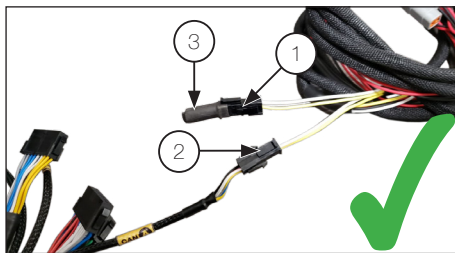
O chicote da FTSPARK tem 2 conectores exclusivos para conexão com rede CAN de produtos da FuelTech.

- 1 - Conector Fêmea;
- 2 - Conector Macho;
- 3 - Terminador;

Plugue o conector macho (2) no conector fêmea do módulo de injeção. Caso tenha mais de um equipamento conectado a rede CAN como por exemplo uma WB-O2 Nano é necessário remover o terminador do chicote da WB-O2 Nano e plugar o conector macho (2) no conector fêmea da Nano.

O terminador (3) deve ser instalado sempre no conector fêmea do ultimo equipamento da rede, isso diminui os níveis de ruídos captados pela rede CAN.

O conector macho (1) NÃO deve ser plugado no conector fêmea (2) do mesmo chicote, se isso ocorrer a Rede CAN da FTSPARK não funcionará.



### ATENÇÃO

Ao desconectar a rede CAN, o usuário perde a opção de selecionar o nível de energia via MAPA e visualizar todos os diagnósticos e medidas que a o módulo de ignição é capaz de realizar.

Através do painel de diagnóstico é possível identificar se a FTSPARK está conectada. Caso ela não esteja conectada o produto funcionará normalmente (com energia definida pelo fio de configuração de energia).

## 6.5 Seleção do nível de energia

O nível de energia pode ser selecionado de duas formas: entrada NÍVEL DE ENERGIA (Pino 9, fio amarelo), ou via rede CAN (valores configurados na tabela de energia de ignição da ECU).



**IMPORTANTE**

Para trabalhar com 750mJ de energia, e controle por outras marcas de injeções é necessário conectar a um terra ou uma saída auxiliar (Pino 9, fio amarelo). Se este fio não estiver conectado a FTSPARK trabalhará somente com 400mJ.

**Operação sem rede CAN**

Selecione o nível de energia através da entrada NÍVEL DE ENERGIA:

- 400mJ: deixar a entrada NÍVEL DE ENERGIA desconectada;
- 750mJ: deixar a entrada NÍVEL DE ENERGIA conectada ao terra ou uma saída auxiliar;
- FTSPARK EXTREME: 800mJ mínimo a 1500mJ de máximo;



**NOTAS**

- 750mJ (energia mínima garantida, pode atingir até 850mJ)
- 1500mJ (energia mínima garantida, pode atingir até 1700mJ)

**PT**

**Operação com rede CAN**

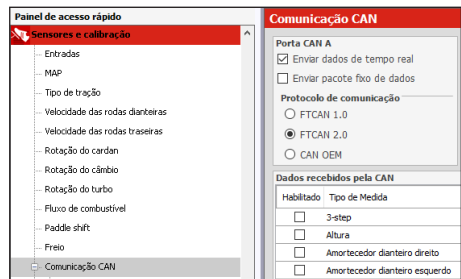
Quando a rede CAN estiver conectada em uma ECU FuelTech, a entrada NÍVEL DE ENERGIA é ignorada.



**ATENÇÃO**

- Caso a temperatura interna máxima de operação (90 °C) seja excedida, a FTSPARK ativa proteções para evitar danos à parte eletrônica.
- O nível de energia da saída é reduzido independente da programação do usuário, o que pode causar funcionamento anormal da ignição.

Quando a FTSPARK for configurada via rede CAN é necessário marcar o check box "Enviar pacote fixo de dados de dados" para que a FTSPARK siga os valores configurados da tabela de energia e forneça o diagnóstico correto para a ECU.



**6.6 Operação com centelha perdida (somente 750mJ)**

A FTSPARK possui internamente 2 bancos de capacitores que são conectados e maneira alternada às saídas. O primeiro banco de capacitores aciona as saídas "ímpares" chamadas de "A", "C", "E" e "G", e o segundo banco aciona as saídas "pares", chamadas de "B", "D", "F" e "H".

Para obter o máximo desempenho, a instalação deve sempre considerar centelhas alternando a utilização dos bancos de capacitores, ou seja, 1 centelha em banco ímpar seguida de uma em banco par e assim por diante. Dessa forma pode-se operar em motores rotativos (que possuem centelhas muito próxima uma da outra) e em centelha perdida em motores até 4 cilindros.



## ATENÇÃO

Recomenda-se a utilização da FTSPARK sempre em modo de ignição sequencial, a utilização em modo centelha perdida em motores 4 cilindros garante o funcionamento até 11250RPM sem redução de energia mas o esforço adicional ao equipamento irá reduzir a vida útil do mesmo e pode causar danos prematuros.



## IMPORTANTE

Apenas motores de 4 cilindros podem utilizar a configuração de centelha perdida. Para motores de 6 a 8 cilindros deve ser utilizado em modo sequencial.

PT

## 6.7 Proteções

A FTSPARK conta com diversas proteções internas que visam evitar danos ao produto em caso de mau uso ou problemas de instalação.

Todas as falhas são auto rearmáveis, ou seja, quando a falha sumir, a FTSPARK volta a operar normalmente. Algumas proteções merecem atenção especial:

Os erros 41 e 43, que estão relacionados à falhas na carga dos capacitores internos, inibem o funcionamento da FTSPARK quando ocorrerem 10 falhas consecutivas. A operação normal é retomada quando o sinal de trigger (gatilhos) for removido. Não é necessário remover a alimentação.

O erro 22, relacionado à operação com sobre temperatura, tem dois estágios de proteção. Se a temperatura estiver acima de 95 °C, mas menor que 100 °C, a energia é reduzida para 400mJ, independente do mapa ou comando externo. Se a temperatura passar de 100 °C, a FTSPARK é desligada.

## 6.8 Atraso do módulo ignição

“O FTSPARK, assim como qualquer outro módulo de ignição, possui um atraso entre o processamento do sinal de entrada e o efetivo disparo da ignição na vela. Este tempo é conhecido e é de 30uS (0,000030 segundo). Este atraso deve ser configurado na ECU para que esta adicione uma compensação para que a ignição tenha atraso praticamente zero entre o disparo do sinal e o ponto de ignição desejado. Nas ECUs FuelTech esse parâmetro encontra-se em configurações de ignição no menu de “atraso do módulo de ignição” O tempo de atraso típico de um sistema completo (ECU, módulo de ignição, bobina e cabos de vela) tipicamente é de 70uS.

Para confirmar o correto atraso de ignição do seu sistema, trave o avanço de ignição para uma ângulo fixo (nas ECUs FT pode-se facilmente travar o ponto através da tela “Calibração da Ignição”, dentro de “Sensores e Calibração”), instale uma pistola de ponto e aponte para marcação no virabrequim. Verifique que o ponto de ignição fica completamente estático, desde a RPM de marcha-lenta até RPMs mais altas. Quando atingir este resultado, significa que seu “atraso do módulo de ignição” foi definido corretamente.

Se você perceber que o ponto de ignição está atrasando conforme a RPM sobe, você precisa aumentar o valor do “atraso do módulo de ignição”.

Como um número de referência, em uma configuração de ignição sequencial com ponto de ignição travado na ECU, se você observar o ponto de ignição em 1.000 RPM e depois a 9.000 RPM e tiver diferença de 1 grau para menos (atrasado) em alta RPM, você precisará adicionar 20uS ao “atraso do módulo de ignição” na ECU.

## 7. Recalibrando o mapa de ignição e combustível

A energia adicional gerada e a precisão do momento em que o calor da centelha é liberado, em geral exigem que o mapa de ignição seja recalibrado quando uma FTSPARK for instalada visando substituir um sistema indutivo.

A energia adicional da centelha permite que o motor opere com misturas mais ricas quando comparado a um sistema indutivo antes de falhar ou apresentar perda de potência. É possível tirar proveito disso e operar com um mapa de combustível mais rico para um mesmo nível de potência, colocando o motor em uma faixa mais segura de operação evitando todos os problemas decorrentes de rodar com mistura pobre.

## 8. LED Indicador de funcionamento

A FTSPARK conta com LED que permite diagnosticar seu funcionamento básico. Os estados possíveis estão listados na tabela a seguir:

Estado	Diagnóstico
Apagado	Sem alimentação na entrada 12V pós-chave
Acesso Verde	FTSPARK alimentada, sem erros, aguardando pulsos de acionamento
Piscando Verde	Pulsos de acionamento presentes na entrada, sem erros, operando com energia padrão (400mJ)
Piscando Laranja	Pulsos de trigger presentes na entrada, sem erros, operando com energia máxima (750mJ) (energia mínima garantida, pode atingir até 850mJ)
Piscando vermelho rápido/lento	Falha detectada. Exibindo o código da mesma.

**PT**

A FTSPARK pode informar um código de erro no LED de diagnóstico composto por 2 dígitos. Piscadas lentas indicam a dezena, piscadas rápidas indicam a unidade. Exemplo: 4 piscadas lentas seguidas de 3 piscadas rápidas. Erro código 43.

A seguir a lista de erros atualmente reportados pela FTSPARK.

Erro	Diagnóstico	Solução
21	ECU está operando com centelha perdida com ordem de ignição errada.	Ao ativar duas saídas simultaneamente, deve-se acionar obrigatoriamente um canal par e outro ímpar. Exemplo: AB, CD, EF, GH. *A=1 B=2 C=3...H=8
22	FTSPARK está com sobre temperatura	Coloque a FTSPARK em um local com maior fluxo de ar ou desligue-a para que ela retorne a temperatura normal.
31	Alimentação (12V) de potência desligado	Verifique se o circuito de alimentação da FTSPARK, fusíveis reles e acionamento do mesmo.
41	Erro de hardware. Sobre tensão nos capacitores internos.	Entre em contato com a FuelTech.
42	Erro de hardware. Tensão interna abaixo do mínimo. FTSPARK desliga durante a condição de falha.	Pode ser causada por algum problema na alimentação da FTSPARK ou bateria descarregada.
43	Erro de hardware. FTSPARK não consegue carregar os capacitores.	Provável falha na saída. Entre em contato com a FuelTech.
44	Erro de hardware. FTSPARK está com fusível interno de proteção rompido	Esse fusível não é acessível nem pode ser substituído pelo usuário. Entre em contato com a FuelTech

## 9. Configuração e operação da FTSPARK

### 9.1 Configuração da FTSPARK

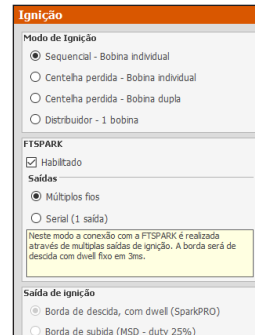
Através do FTManager é possível configurar a saída da FTSPARK, para isso acesse o menu configuração do motor e após menu ignição.

Habilite a FTSPARK, em seguida selecione qual será o tipo de saída.

**Múltiplos fios:** Aciona saídas individuais para cada bobina.

**Serial (1 fio):** Neste modo a conexão com a FTSPARK é realizada apenas através da ENTRADA DE IGNIÇÃO A (fio cinza 1). Todos os sinais de ignição serão enviados nesta conexão.

Quando selecionado a opção serial (1 fio) é habilitado uma função de teste das saídas da FTSPARK. Acesse o FTManager menu sensores e calibração após selecione saídas FTSPARK - teste de saídas.



PT

## 9.2 Configuração para mais de um módulo FTSPARK no mesmo veículo

Quando o veículo requer 2 unidades de FTSPARK, é necessário alterar via software FT Manager o módulo que vai ser o modulo B.

### Procedimento

1. Conecte os dois módulos na rede CAN junto com a ECU FuelTech da linha Power FT.
2. Ligue a ignição para alimentar os módulos FTSPARK.
3. Na aba **"Ferramentas"**, selecione **"dispositivos CAN"**.
4. Caso os dois módulos sejam ambos Unidade A, os mesmos irão aparecer como um produto nos ícones da esquerda, selecione ele e então escolha o Número Serial do módulo que deseja modificar para virar a unidade B. Clique em **"Identificar"** para piscar o LED do modulo selecionado, então selecione a opção desejada e clique em **"Gravar"**.

Todos os módulos vêm de fábrica configurados como "Unidade A".

Em motores rotativos de 3 ou 4 rotores, é necessário **dois** módulos **FTSPARK-4**, o segundo, que estão as velas de "Trailing" deve ser alterado para **"Módulo B"**.

Em motores 6 e 8 cilindros com FTSPARK EXTREME precisam de duas unidades, selecione e altere para Unidade B a que está ligada aos cilindros 2, 3, 5 e 8.

**Essa configuração somente é possível com unidades Geração 2 da FTSPARK de 750mJ e FTSPARK EXTREME de 1500mJ, as unidades Geração 1 de 600mJ não possuem essa possibilidade.**



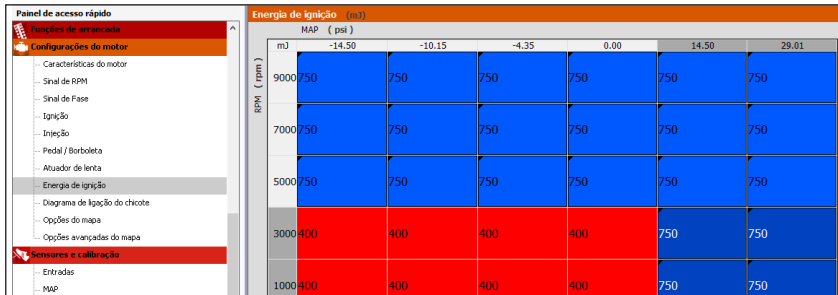
### NOTA

No passo 4, caso tenha dificuldade de identificar qual deve ser alterado, desconecte o outro que ficará como A do carro, deixando somente o que será alterado.



### 9.3 Energia de ignição

Nesta tabela de MAP x RPM é possível configurar o nível de energia da FTSPARK. Ajuste esta tabela conforme os valores mínimos e máximos aceitáveis pela FTSPARK disponível no projeto.



PT

### 9.4 Tabelas de ligação

Ligação sequencial em motores com bobinas individuais

Saída	Cilindro
A	1
B	2
C	3
D	4

Saída	Cilindro
A	1
B	2
C	3
D	4

Saída	Cilindro
A	1
B	2
C	3
D	4
E	5
F	Não Utilizada

Saída	Cilindro
A	1
B	2
C	3
D	4
E	5
F	6

Saída	Cilindro
A	1
B	2
C	3
D	4
E	5
F	6
G	7
H	8

Saída	Cilindro
A (Módulo A)	1
B (Módulo B)	2
C (Módulo B)	3
D (Módulo A)	4
E (Módulo B)	5
F (Módulo A)	6
G (Módulo A)	7
H (Módulo B)	8

Ligação centelha perdida em motores 4 cilindros

Saída	Cilindro
A	1
B	4
C	3
D	2

Saída	Cilindro
A	1
B	3
C	2
D	4

Saída	Cilindro
A	1
B	2
C	3
D	4

## Ligação em motores ROTATIVOS

A ordem deve ser alterada para que as saídas Leading e Trailing do mesmo rotor sejam colocadas em sequência como nas tabelas a seguir.



### ATENÇÃO

A ligação nas tabelas a seguir em um motor rotativo é obrigatória pois as bobinas “Leading” e “trailing” irão disparar praticamente juntas e devem estar em bancos de capacitores diferentes para garantir a total energia disponível.

PT

2 rotores - FTSPARK-4	
Saída	Rotor
A - FTSPARK	Leading rotor 1 (L1)
B - FTSPARK	Trailing rotor 1 (T1)
C - FTSPARK	Leading rotor 2 (L2)
D - FTSPARK	Trailing rotor 2 (T2)

4 rotores - 2 x FTSPARK-4	
Saída	Rotor
A - FTSPARK (modulo A)	Leading rotor 1 (L1)
B - FTSPARK (modulo A)	Leading rotor 2 (L2)
C - FTSPARK (modulo A)	Leading rotor 3 (L3)
D - FTSPARK (modulo A)	Leading rotor 4 (L4)
A - FTSPARK (modulo B)	Trailing rotor 1 (T1)
B - FTSPARK (modulo B)	Trailing rotor 2 (T2)
C - FTSPARK (modulo B)	Trailing rotor 3 (T3)
D - FTSPARK (modulo B)	Trailing rotor 4 (T4)

3 rotores - 2 x FTSPARK-4	
Saída	Rotor
A - FTSPARK (modulo A)	Leading rotor 1 (L1)
B - FTSPARK (modulo A)	Leading rotor 2 (L2)
C - FTSPARK (modulo A)	Leading rotor 3 (L3)
D - FTSPARK (modulo A)	-
A - FTSPARK (modulo B)	Trailing rotor 1 (T1)
B - FTSPARK (modulo B)	Trailing rotor 2 (T2)
C - FTSPARK (modulo B)	Trailing rotor 3 (T3)
D - FTSPARK (modulo B)	-

## 9.5 Canais do Datalogger

**Tempo de descarga:** Cada saída possui um monitoramento individual por canal do tempo da descarga da energia na bobina, que serve para diagnóstico de mal funcionamento de alguma bobina, canal ou chicote. O tempo de descarga do capacitor não está relacionado ao tempo de centelha, uma descarga mais demorada pode indicar problemas na bobina ou chicote e conector.

**Tensão de alimentação:** Indica a tensão efetiva recebida pela FTSPARK.

**Queda na tensão de alimentação:** Indica a diferença de tensão de alimentação entre a FTSPARK e a ECU. Caso o valor seja muito alto pode indicar um problema no chicote de alimentação da FTSPARK.

**Tensão do capacitor 1 e 2:** A FTSPARK possui dois bancos de capacitores que são carregados e disparados alternadamente nas saídas permitindo assim rotações mais altas e operações em motores rotativos, o banco de capacitores nº 1 aciona as saídas A-C-E-G e o banco de capacitores nº 2 aciona as saídas B-D-F-H.

**Tempo de carga do capacitor 1 e 2:** O monitoramento do tempo de carga permite diagnosticar algum problema interno da FTSPARK, deficiência de alimentação e limites de RPM de operação onde o tempo de carga necessário não consegue ser respeitado.

Diferenças na Energia Máxima no Log: É comum a FTSPARK mostrar mJ a mais no log. Isso deve-se ao fato de haver uma tolerância no circuito de carga sempre para mais, nunca para menos de 750mJ e porque o capacitor carrega em steps de 20 em 20 Volts. Dependendo da situação a FTSPARK pode medir 760, 770, 780 mJ, sempre garantindo o mínimo de 750mJ.

## 9.6 Informações do Eventos de Status

Mensagem	Possíveis Causas	Soluções
Saída danificada (módulo X)	Saída esta danificada	Enviar para assistência técnica da FuelTech
Saída desabilitada (módulo X)	AVISO informando que uma saída foi desativada. Por falha ou excesso de temperatura.	Essa mensagem sempre vem acompanhada de outro status que foi o motivo que gerou o desligamento.
Subtensão na chave 12V (módulo X)	Tensão abaixo de 12V	Verifique a bateria ou problema no chicote elétrico
Tensão baixa na fonte de 15V dos drivers (módulo X)	Problema interno.	Enviar para assistência técnica da FuelTech
Circuito de carga não consegue carregar os capacitores (módulo X)	Essa mensagem sempre vem acompanhada de outro status que foi o motivo que gerou o desligamento.	Pode ser problema de hardware ou simplesmente o positivo de potencia desligado.
Sobretensão no barramento de alta tensão (módulo X)	AVISO que a tensão dos capacitores passou de 460V.	Não pode passar de 480V. Caso passe é necessário enviar o módulo para assistência técnica da FuelTech.
Ordem de ignição incorreta (módulo X)	Ligação dos fios errados quando operando em modo centelha perdida	Corrigir a ordem de ignição.
Fusível interno (módulo X) rompido	Problema interno.	Enviar para assistência técnica da FuelTech
(Módulo X) Reiniciou de Forma Inesperada em operação	Em geral causado por interferência ou algum problema elétrico na instalação.	Revisar a instalação, terras de potência, terras de ignição, estado das velas e dos cabos.
Tensão baixa na alimentação de potencia (módulo X)	Pode ser problema elétrico (chicote, conectores no caminho ou chave geral) ou problema de bateria.	Checar a bateria e o chicote
Temperatura do estágio de potencia (módulo X) passou de 100°C	Uso severo do produto em condição não recomendada pela FuelTech.	Observe os limites descritos neste do manual.
(Módulo X) reiniciou de forma inesperada durante a centelha	Esse problema é causado por interferência de ignição.	Checar cabos, velas, posicionamento dos fios de saída do chicote, etc.
Pulso não reconhecido	No modo serial, recebeu algum sinal fora da especificação.	Em geral é problema de chicote ou posicionamento do mesmo
Saída sem carga conectada	Não ha nada ligado na saída	Revisar o chicote, bobina e conectores
Saída com descarga parcial	A bobina não esta consumindo toda energia enviada pela FTSPARK	Revisar o chicote, bobina e conectores

### Módulo X - FTSPARK A ou FTSPARK B

## 10. Protocolo FTCAN 2.0

A FTSPARK possui um diagnóstico avançado de funcionamento, falhas e problemas, que ajudam e muito a diagnosticar e acompanhar o funcionamento do seu sistema de ignição. Quando utilizada em conjunto com as ECUS da série Power FT da FuelTech (FT450 ou superior), esta programação já se encontra feita na sua ECU e não é necessário qualquer programação adicional para receber todas estas informações, porem quando utilizada a FTSPARK em conjunto com outra ECU ou um

sistema de aquisição de dados que possua porta de comunicação CAN e possa ser programada, é possível ter acesso a todos esses dados de forma a utilizar por completo os benefícios da FTSPARK.



#### NOTA

Consulte o fabricante da sua ECU ou Equipamento de aquisição de dados para instruções de como efetuar a programação da CAN conforme este documento.



## NOTA

*Este protocolo completo esta disponível em nosso site na seção de manuais*

## 10.1 Estrutura física

CAN 2.0B Modo estendido  
Taxa: 1Mbps

## 10.2 Recursos

PT

Neste documento, abordaremos a implementação de um protocolo personalizado (FTCAN) executado sobre uma estrutura física da CAN 2.0. O objetivo do protocolo FTCAN é fornecer um meio de segmentar um grande fluxo de dados em muitos pacotes CAN menores. Consideraremos um CAN FRAME conforme indicado abaixo:

CAN FRAME	
29 bits	0 a 8 bytes
IDENTIFICATION	DATA FIELD

## 10.3 IDENTIFICATION

A FTCAN utilizará os 29 bits do cabeçalho IDENTIFICATION para identificar o dispositivo que originou a mensagem. Os 29 bits serão divididos para fornecer informações sobre: o identificador exclusivo do produto, o tipo de dados e o tipo de mensagem que está sendo enviada. A divisão de bits foi planejada para ter várias prioridades de mensagens para o mesmo tipo de produto e várias prioridades para os diversos produtos dentro da mesma estrutura física da CAN.

IDENTIFICATION (29 bits)		
Bits 28 a 14 (15 bits)	Bits 13 a 11 (3 bits)	Bits 10 a 0 (11 bits)
ProductID	DataFieldID	MessageID

### ProductID

Identifica o produto que enviou a mensagem. Quanto menor o ID do produto, maior é a prioridade no barramento CAN. Na rede, dois dispositivos que são do mesmo tipo de produto (duas sondas lambda, por exemplo) não podem ter o mesmo ID do produto. Para diferenciar dois produtos do mesmo tipo, os bits ProductID são divididos conforme mostrado abaixo.

ProductID (15 bits)	
Bit 14 a 5 (10 bits)	Bits 4 a 0 (5 bits)
ProductTypeID	Identificado único

Cada produto que deseja enviar dados para o barramento CAN deve ter um identificador exclusivo. Os dispositivos que receberão apenas dados do barramento CAN não precisam ter um ID exclusivo. Os ProductIDs são divididos em intervalos de prioridade:

- Prioridade crítica: 0x0000 a 0x1FFF
- Alta prioridade: 0x2000 a 0x3FFF
- Media prioridade: 0x4000 a 0x5FFF
- Baixa prioridade: 0x6000 a 0x7FFF

Uma lista com todos os ProductTypeIDs possíveis é apresentada mais adiante neste documento.

### DataFieldID

Identifica o tipo de estrutura de dados que está sendo enviada no CAN FRAME -> DATA FIELD. Existem 4 layouts de dados possíveis:

- 0x00: Campo de dados padrão CAN
- 0x01: Campo de dados CAN padrão vindo / indo para um conversor de barramento.
- 0x02: campo de dados FTCAN 2.0
- 0x03: campo de dados FTCAN 2.0 vindo de / indo para um conversor de barramento.

### MessageID

Identifica os dados no DATA FIELD. Exemplo: comandos, dados de configuração, leituras em tempo real, etc. Quanto menor o ID da mensagem, maior a prioridade. O bit mais significativo do MessageID é reservado para identificar uma resposta de um comando:

MessageID (11 bits)	
Bit 10	Bits 9 a 0 (10 bits)
Resposta (valor 1)	Código da mensagem

Os níveis de prioridade são:

- Prioridade crítica: 0x000 a 0x0FF
- Prioridade alta: 0x100 a 0x1FF
- Prioridade media: 0x200 a 0x2FF
- Baixa prioridade: 0x300 a 0x3FF

Uma lista com todos os possíveis MessageIDs é apresentada posteriormente neste documento.

## 10.4 DATA FIELD

O DATA FIELD pode ter até 8 layouts de dados de acordo com o valor do DataFieldID. Todos os valores no DATA FIELD são transmitidos no formato big-endian.

### DataFieldID 0x00: CAN padrão

Nesse layout de dados, todos os 8 bytes do DATA FIELD são usados como dados válidos (PAYLOAD). Todos os dados são transmitidos de uma só vez, pois esse modo não implementa a segmentação de dados.

DATA FIELD (1 a 8 bytes)							
0	1	2	3	4	5	6	7
PAYLOAD							

### DataFieldID 0x01: CAN padrão (bridge, gateway ou conversor)

Nesse layout de dados, todos os 8 bytes do DATA FIELD serão encaminhados pelo conversor de barramento. O DataFieldID (0x01) também é usado para identificar pacotes originados fora do barramento CAN. Os exemplos de bridge são: conversor USB-CAN independente, bridge USB-CAN da FT500, etc

DATA FIELD (1 a 8 bytes)							
0	1	2	3	4	5	6	7
PAYLOAD							

### DataFieldID 0x02: FT CAN 2.0

Este é o DataFieldID que todos os dispositivos da FuelTech usarão para se comunicar no barramento CAN. O recurso de segmentação de dados é implementado nesse tipo de layout de dados. Como pode ser visto nos diagramas abaixo, o recurso de segmentação usa o primeiro byte do DATA FIELD para indicar qual segmento dos seguintes bytes é. Pode haver 2 tipos de pacotes:

- Pacote único (todos os dados são transmitidos em um pacote CAN)
- Pacote segmentado (os dados são transmitidos em múltiplos pacotes CAN)

### Pacote único

O primeiro byte do DATA FIELD terá o valor de 0xFF. Os 7 bytes a seguir terão os dados da mensagem (PAYLOAD).

DATA FIELD (1 a 8 bytes)							
0	1	2	3	4	5	6	7
0xFF	PAYLOAD						

### Pacote segmentado

No primeiro byte do DATA FIELD, haverá valores que variam de 0x00 a 0xFE. O primeiro segmento terá o valor 0x00 e os seguintes pacotes conterão 0x01, 0x02 e assim por diante. No primeiro segmento, os 2 bytes após o valor 0x00 contêm os dados de segmentação.

DATA FIELD (8 bytes)							
0	1	2	3	4	5	6	7
0x00	SEGMENTO		PAYLOAD				

#### Primeiro segmento

DATA FIELD (1 a 8 bytes)							
0	1	2	3	4	5	6	7
0x00	PAYLOAD						

#### Segundo segmento

DATA FIELD (1 a 8 bytes)							
0	1	2	3	4	5	6	7
0x01	PAYLOAD						

#### Terceiro segmento (se disponível)

DATA FIELD (1 a 8 bytes)							
0	1	2	3	4	5	6	7
0x02	PAYLOAD						

#### Quarto segmento (se disponível)

DATA FIELD (1 a 8 bytes)							
0	1	2	3	4	5	6	7
0xFE	PAYLOAD						



#### NOTA

O comprimento máximo de PAYLOAD será:  $5 + (0xFD * 7) = 1776$  bytes.

PT

Os dados de segmentação contêm as seguintes informações:

SEGMENTAÇÃO DOS DADOS (2 bytes)																	
Bytes	1								2								
Bits	15	14	13	12	11	10	9	8	7	6	5	4	3	2	1	0	
	RFU	RFU	RFU	RFU	RFU												PAYLOAD comprimento total (em bytes)

**RFU: Reservado para uso futuro**

## DataFieldID 0x03: FTCAN 2.0 Bridge (bridge, gateway ou conversor)

Esse DataFieldID usa o mesmo layout de dados do 0x02 do DataFieldID quando os dados vão ou vêm de um conversor BUS.

## 10.5 Anexos

### Lista de ProductID

Como os 5 bits menos significativos do ProductID são usados para o valor exclusivo, o protocolo FTCAN pode ter até 32 dispositivos do mesmo tipo de produto ao mesmo tempo. O valor exclusivo variará de 0x00 a 0x1F. O limite para diferentes tipos de produtos será 1024.

PT

Prioridade	ProductID			Tipo de Produto
	ProductTypeID	Intervalo		
		Início	Fim	
Crítica	-----	0x0FFF	0x0FFF	Dispositivo pesquisando um ProductID (valor exclusivo indefinido)
Média	0x0243	0x4860	0x4861	FTSPARK

### Lista de MessageID's

- 0x0FF, 0x1FF, 0x2FF e 0x3FF – Transmissão de leituras em tempo real
- 0x0FF – Prioridade Crítica
- 0x1FF – Prioridade Alta
- 0x2FF – Prioridade Média
- 0x3FF – Baixa Prioridade

Esses são os MessageIDs que o dispositivo da FuelTech usará para transmitir suas leituras em tempo real. A taxa para cada transmissão dependerá do tipo de dados; dados críticos serão transmitidos com mais frequência. Exemplos de dados críticos: corte de ignição, 2-step, sinais de emergência, etc. Exemplos de dados de alta prioridade: RPM, tempo de ignição, fluxo de combustível, MAP, TPS, etc.

Os valores são sempre transmitidos como 16 bits na ordem de bytes big-endian.

Os status são transmitidos como big-endian sem sinal de 16 bits.

Cada dado em tempo real será composto por 4 bytes:

DADOS EM TEMPO REAL	
0-1	2-3
Identificador (MeasureID)	Valor e Status (big endian)

Se um dispositivo precisar transmitir mais de uma leitura ao mesmo tempo, poderá fazê-lo usando um pacote segmentado:

Pacote segmentado PAYLOAD	
MEASURE 1	
0-1	2-3
MeasureID	Valor/Status

MEASURE 2	
4-5	6-7
MeasureID	Valor/Status

MEASURE 3	
8-9	10-11
MeasureID	Valor/Status

Outra possibilidade é usar um quadro de dados padrão CAN para transmitir 2 medidas por vez; todos os dispositivos no barramento CAN devem ser capazes de receber dados usando todos os layouts de dados.

Pacote segmentado PAYLOAD			
MEASURE 1		MEASURE 2	
0-1	2-3	4-5	6-7
MeasureID	Valor	MeasureID	Valor

Uma lista com os MeasureIDs disponíveis é apresentada mais adiante neste documento.

- **0x600, 0x601, e 0x602 – Transmissão em tempo real broadcast**

Esses são os MessageIDs que o dispositivo da FuelTech usará para transmitir suas leituras em tempo real usando um conjunto fixo de MeasureIDs.

Cada valor de medida é prefixado em uma posição específica no PAYLOAD. A taxa de broadcast é 100Hz.

Os valores são sempre transmitidos como 16 bits assinados na ordem de bytes big-endian.

Os dados são transmitidos **sempre** usando um quadro de dados padrão CAN (DataFieldID 0x00) para transmitir 4 medidas por vez.

### MeasureIDs

O bit menos significativo do MeasureID é usado para indicar se o seguinte valor é o valor real ou o status de leitura. Considerando que o MeasureID tem 16 bits no total, usaremos 15 bits para identificar os dados que estão sendo transmitidos.

MeasureID	
Bits 15 to 1	Bit 0
Data Identifier (DataID)	0: Data Valor 1: Data status

PT

MeasureID	DataID	Descrição	Unid	Multi	Broadcast (taxa)		
0x00A4	0x0052	Tempo de descarga ignição saída 1	uS	1	FTSPARK 50Hz		
0x00A6	0x0053	Tempo de descarga ignição saída 2					
0x00A8	0x0054	Tempo de descarga ignição saída 3					
0x00AA	0x0055	Tempo de descarga ignição saída 4					
0x00AC	0x0056	Tempo de descarga ignição saída 5					
0x00AE	0x0057	Tempo de descarga ignição saída 6					
0x00B0	0x0058	Tempo de descarga ignição saída 7					
0x00B2	0x0059	Tempo de descarga ignição saída 8					
0x00B4	0x005A	Tempo de descarga ignição saída 9					
0x00B6	0x005B	Tempo de descarga ignição saída 10					
0x00B8	0x005C	Tempo de descarga ignição saída 11					
0x00BA	0x005D	Tempo de descarga ignição saída 12					
0x00BC	0x005E	Tempo de descarga ignição saída 13					
0x00BE	0x005F	Tempo de descarga ignição saída 14					
0x00C0	0x0060	Tempo de descarga ignição saída 15					
0x00C2	0x0061	Tempo de descarga ignição saída 16	V	.001	FTSPARK 50Hz		
0x00C4	0x0062	Fonte de alimentação da ignição externa					
0x00C6	0x0063	Queda da fonte de alimentação da ignição externa					
0x00C8	0x0064	Potência da ignição externa				mJ	1
0x00CA	0x0065	Temperatura da ignição externa				°C	0.1
0x00CC	0x0066	Carga capacitor externo 1				V	0.1
0x00CE	0x0067	Carga capacitor externo 2					
0x00D0	0x0068	Carga capacitor externo 3					
0x00D2	0x0069	Carga capacitor externo 4					

MeasureID	DataID	Descrição	Unid	Multi	Broadcast (taxa)
0x00D4	0x006A	Tempo de carga do capacitor externo 1	uS	1	FTSPARK 50Hz
0x00D6	0x006B	Tempo de carga do capacitor externo 2			
0x00D8	0x006C	Tempo de carga do capacitor externo 3			
0x00DA	0x006D	Tempo de carga do capacitor externo 4			
0x00DC	0x006E	Código erro de ignição externa	-	Nota 1	FTSPARK 25Hz
0x00DE	0x006F	Carga na saída de ignição externa	-	Nota 2	
0x00E0	0x0070	Descarga parcial ignição externa	-		
0x00E2	0x0071	Defeito na saída de ignição externa	-		
0x00E4	0x0072	Saída de ignição externa desativada	-	Nota 2	FTSPARK 25Hz
0x00E6	0x0073	Status de operação da saída de ignição externa	-	Nota 3	
0x022C	0x0116	Chave de ignição externa	V	0.001	FTSPARK 25Hz
0x022E	0x0117	Potência chave de ignição externa			
0x0230	0x0118	Temperatura CPU ignição externa	°C	0.1	
0x0232	0x0119	Tempo de operação ignição externa	S	0.1	FTSPARK 10Hz
0x02A8	0x0154	Fonte de alimentação ignição externa - B	V	.001	FTSPARK 50Hz
0x02AA	0x0155	Queda fonte alimentação ignição externa - B			
0x02AC	0x0156	Potência da ignição externa - B	mJ	1	
0x02AE	0x0157	Temperatura da ignição externa - B	°C	0.1	
0x02B0	0x0158	Carga capacitor externo 1 - B	V	0.1	
0x02B2	0x0159	Carga capacitor externo 2 - B			
0x02B4	0x015A	Carga capacitor externo 3 - B			
0x02B6	0x015B	Carga capacitor externo 4 - B	uS	1	FTSPARK 50Hz
0x02B8	0x015C	Tempo de carga do capacitor externo 1 - B			
0x02BA	01015D	Tempo de carga do capacitor externo 2 - B			
0x02BC	0x015E	Tempo de carga do capacitor externo 3 - B			
0x02BE	0x015F	Tempo de carga do capacitor externo 4 - B	-	Nota 1	FTSPARK 25Hz
0x02C0	0x0160	Código erro de ignição externa - B			
0x02C2	0x0161	Carga na saída de ignição externa - B			
0x02C4	0x0162	Descarga parcial ignição externa - B			
0x02C6	0x0163	Defeito na saída de ignição externa - B			
0x02C8	0x0164	Saída de ignição externa desativada - B			
0x02CA	0x0165	Status de operação da saída de ignição externa - B	-	Nota 3	
0x02CC	0x0166	Chave de ignição externa - B	V	0.001	
0x02CE	0x0167	Potência chave de ignição externa - B	V	0.001	
0x02D0	0x0168	Temperatura CPU ignição externa - B	°C	0.1	
0x02D2	0x0169	Tempo de operação ignição externa - B	S	0.1	FTSPARK 10Hz

## Nota 1

- **Bit 0:** largura de pulso desconhecida recebida pelo barramento de ignição FT.
- **Bit 1:** Ordem de ignição incorreta em operação semi-sequencial.
- **Bit 2:** Sobre-tensão no barramento de alta tensão. (Ignição externa desativada até o próximo ciclo de energia).
- **Bit 3:** subtensão na fonte de alimentação dos drivers de saída. (Ignição externa desativada enquanto a condição existe).
- **Bit 4:** Circuito de carga incapaz de carregar capacitores.
- **Bit 5:** Fonte de alimentação sob tensão.
- **Bit 6:** interruptor de 12V sob tensão.



Nota 2

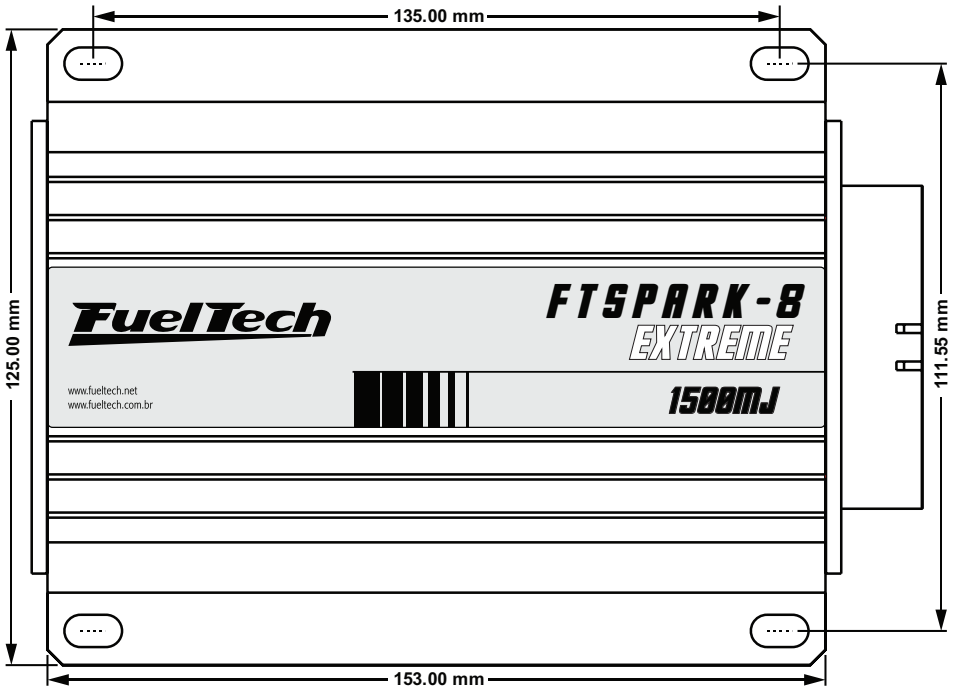
Bit 0:	Saída 1	Bit 8:	Saída 9
Bit 1:	Saída 2	Bit 9:	Saída 10
Bit 2:	Saída 3	Bit 10:	Saída 11
Bit 3:	Saída 4	Bit 11:	Saída 12
Bit 4:	Saída 5	Bit 12:	Saída 13
Bit 5:	Saída 6	Bit 13:	Saída 14
Bit 6:	Saída 7	Bit 14:	Saída 15
Bit 7:	Saída 8	Bit 15:	Saída 16

Nota 3

- Bit 0: Uso interno
- Bit 1: Uso interno
- Bit 2: Habilitador modo de alta potência

11. Dimensões

PT



PT



# *FuelTech*

## USA

455 Wilbanks Dr.  
Ball Ground, GA, 30107, USA

Phone: +1 678-493-3835

E-mail: [info@FuelTech.net](mailto:info@FuelTech.net)  
[www.FuelTech.net](http://www.FuelTech.net)



## BRASIL

Av. das Indústrias, 864,  
Anchieta Porto Alegre, RS,  
Brasil CEP 90200-290

Fone: +55 (51) 3019 0500

E-mail: [sac@FuelTech.com.br](mailto:sac@FuelTech.com.br)  
[www.FuelTech.com.br](http://www.FuelTech.com.br)

