

500w/600w Isolated DC-DC Converter

■ Feature Overview



DCIS series isolated DC-DC converter adopt advanced high frequency power conversion technology and designed to transfer power battery voltage to 12V/24V voltage to supply vehicle mounted devices such as lamps and audio systems. Its features include small size, high efficiency, stabilized output voltage, complete protection function and so on.

DCIS series isolated DC-DC converter is completely electrical isolated from input to output to ensure safety use; Stabilized output voltage can charge 12V batteries; Multi DC-DC converters can be used in parallel directly to increase output current.

■ Specifications

Input Voltage: 48V/60V/64V/72V/80V/84V/96V/108V/120V/144V

Output Voltage: 12V / 24V

Output voltage(no-load) 13.8V / 24.5V

Max Output Current: 50A / 25A

Maximum Efficiency: ≥88%

Environmental Enclosure: IP65

Operating Temperature: -20°C-+60°C

■ Protections & Functions

Water & vibration Proofed: All sealed by silica glue to get water and vibration proofed, which is suitable for all kinds of environment.

Key Switch Control: The convert can be controlled by a key switch control wire instead of a input relay. (Option)

Over Heat Protection: Auto reduce output current if the temperature is over 65°C, but it doesn't shut down to ensure the continuous power for your car.

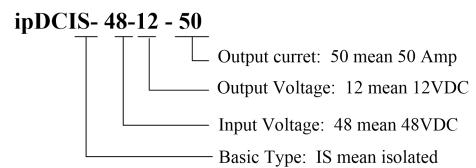
Short Circuit Protection: Shut down and auto-reset with little pulse current, ensure the wire safety.

Under Voltage Protection: Shut down when the voltage of power battery is too low to avoid over-discharge of the battery.

Type	Battery Voltage	Output Voltage	Output current	Input Volt. Range
DCIS-4812	48V	12V	50A	36V-60V
DCIS-4824	48V	24V	25A	36V-60V
DCIS-6012	60V	12V	50A/	45V-75V
DCIS-60/72-12	60V/72V	12V	50A	45V-90V
DCIS-7212	72V	12V	50A	54V-90V
DCIS-7224	72v	24V	25A	54V-90V
DCIS-8412	84V	12V	50A	60V-95V
DCIS-9612	96V	12V	50A	72V-120V
DCIS-10812	108V	12V	50A	81V-135V
DCIS-12012	120V	12V	50A	90V-150V
DCIS-12024	120V	24V	25A	90V-150V
DCIS14412	144V	12V	50A	108V-180V

DCIS-60/72-12 replaced DCIS-60-12 and DCIS-72-12

■ Naming Rule



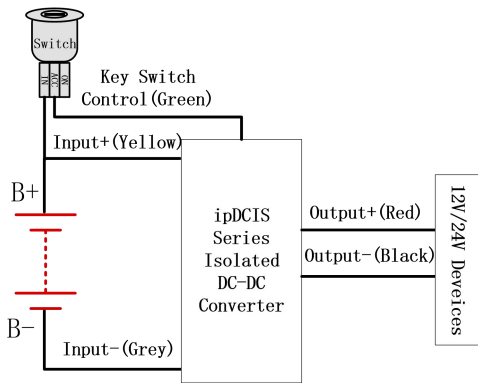
■ Interface Instructions

Yellow: Input + (1.5mm²) Red: Output + (6.0mm²)
 Grey: Input- (1.5mm²) Black: Output - (6.0mm²)
 Green: Key Switch Controls (Option) (0.5 mm²)

Note:

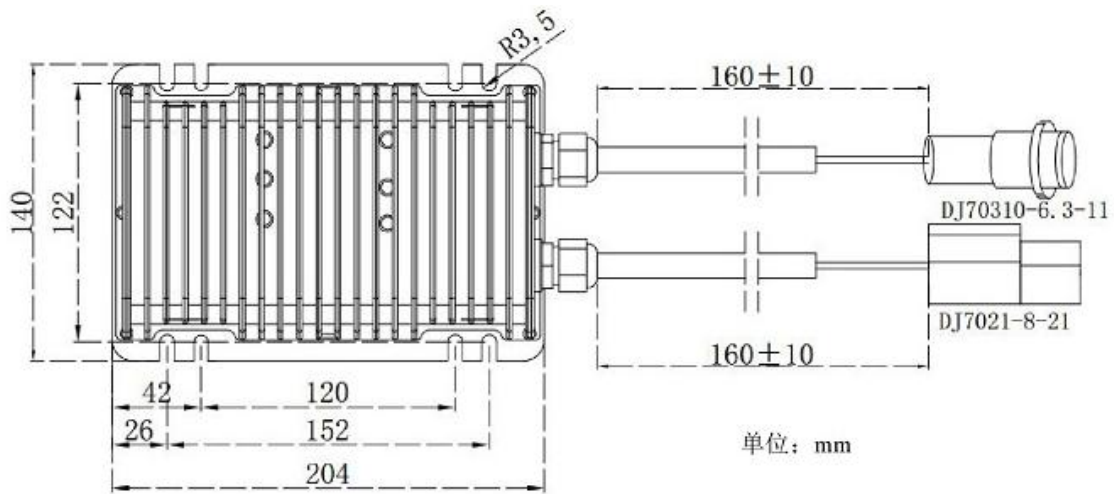
- (1) Don't make input wires and output wires reversed, otherwise it will cause damage !
- (2) Don't open the shell of the converter; there is a risk of electric shock!
- (3) Interface wires can be customized.

■ Mechanical Dimensions



The voltage of the Key switch control is consistent with the input voltage

Connection and interface definition



***Interface Description:**

1. Output+	Red	6.0mm ² ;
2. Output-	Black	6.0mm ² ;
3. Key Switch Control (Option)	Green	0.5mm ² ;
4. Input+	Yellow	1.5mm ² ;
5. Input-	Grey	1.5mm ² ;

male/female connectors